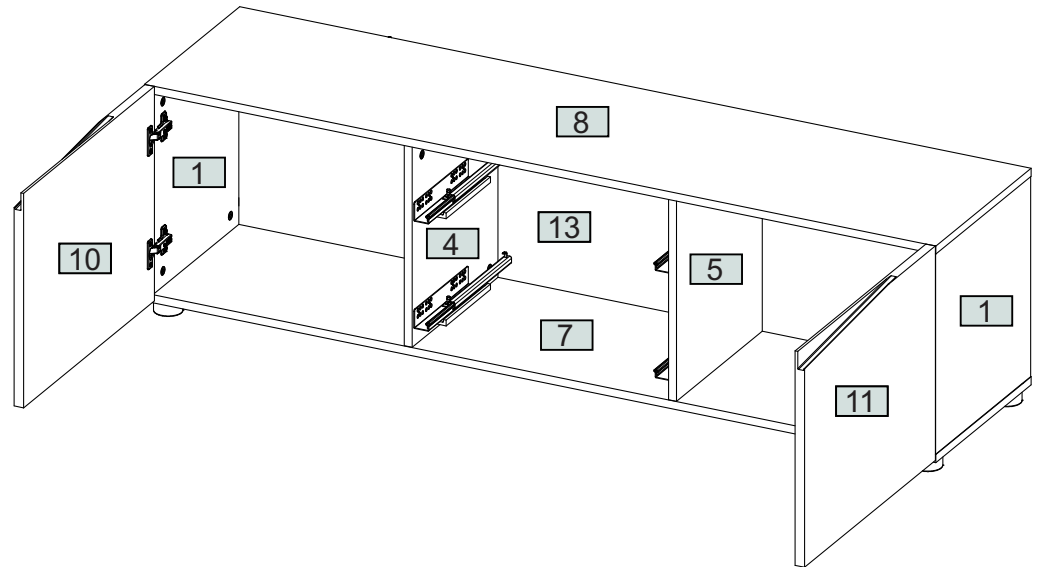
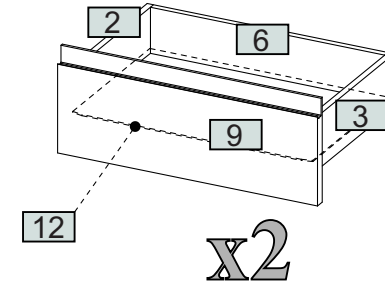
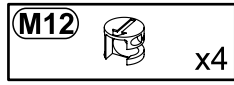
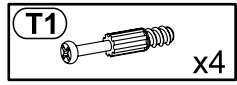
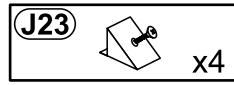
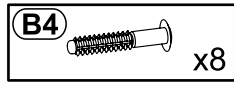
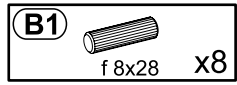


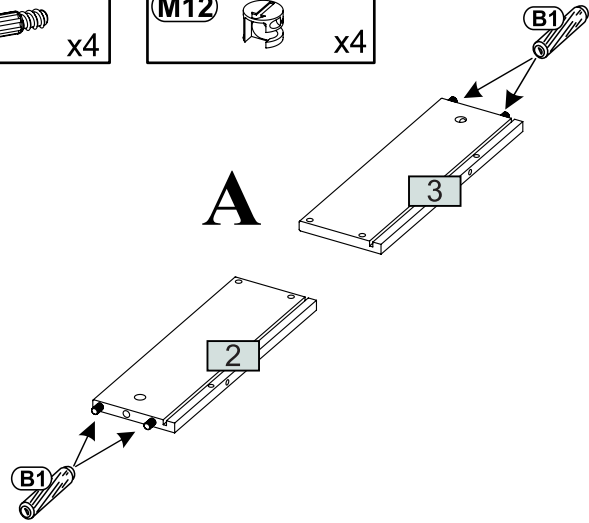
Nr	Ausmaß		St	Colli	
1	372	360	15	2	1
2	300	100	12	2	1
3	300	100	12	2	1
4	372	325	15	1	1
5	372	325	15	1	1
6	446	100	12	2	1
7	1500	361	15	1	1
8	1500	361	15	1	1
9	496	196	18	2	1
10	398	496	18	1	1
11	398	496	18	1	1
12	299	457	2	2	1
13	1482	386	2	1	1



1

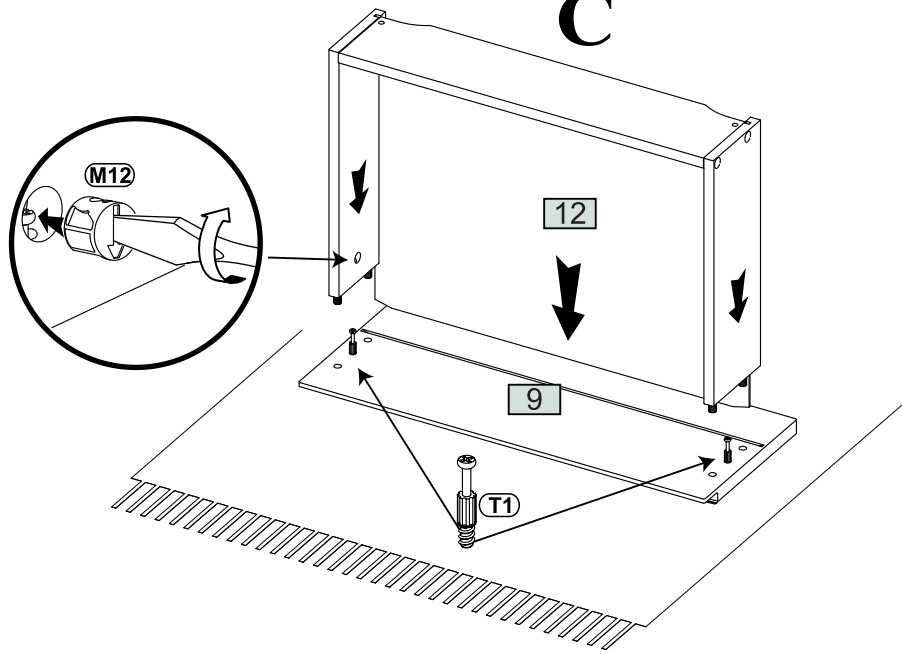


A

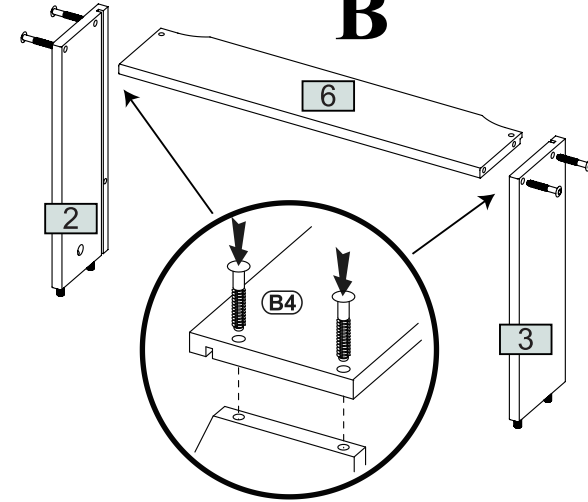


x2

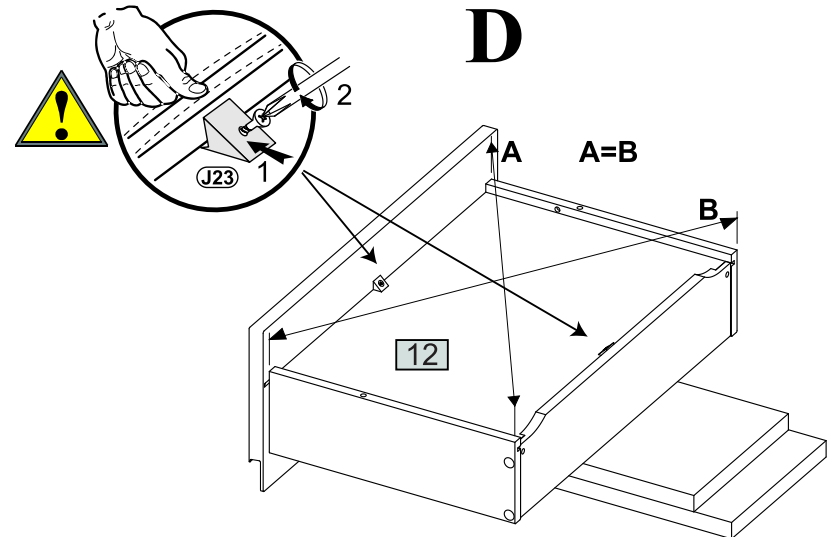
C




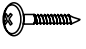
B

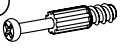


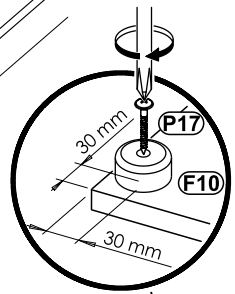
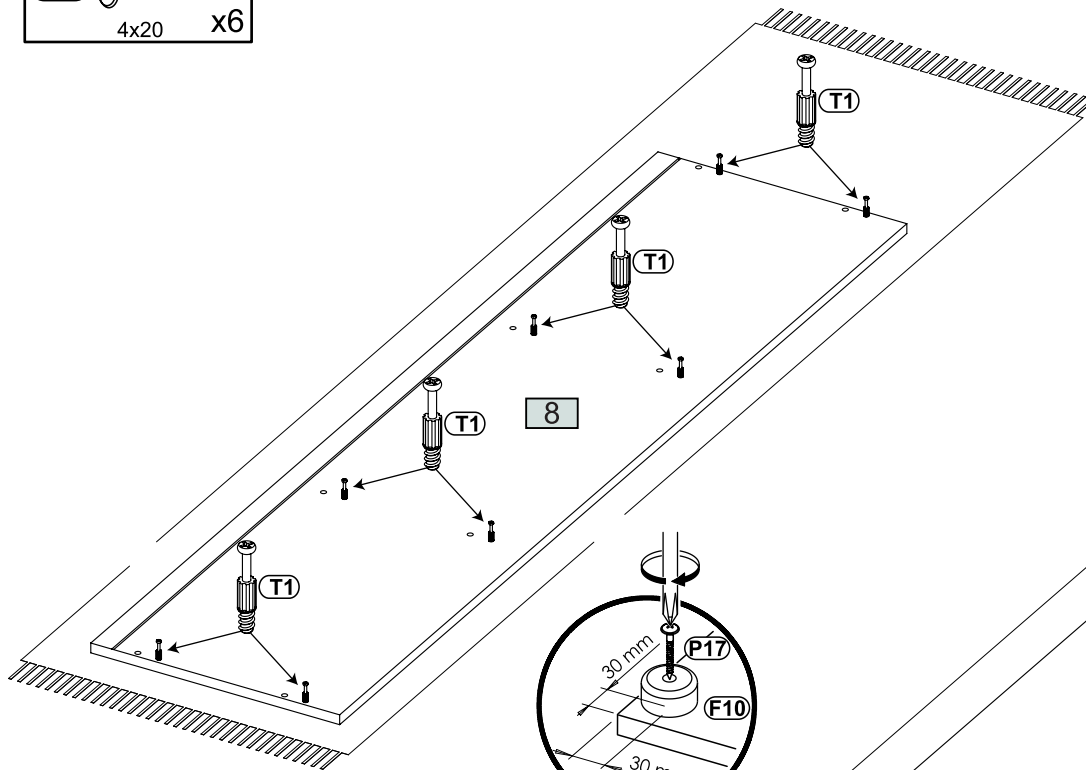
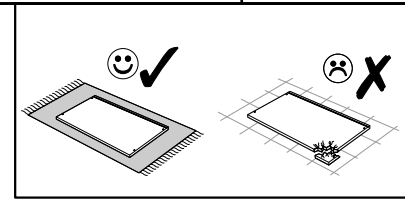
D



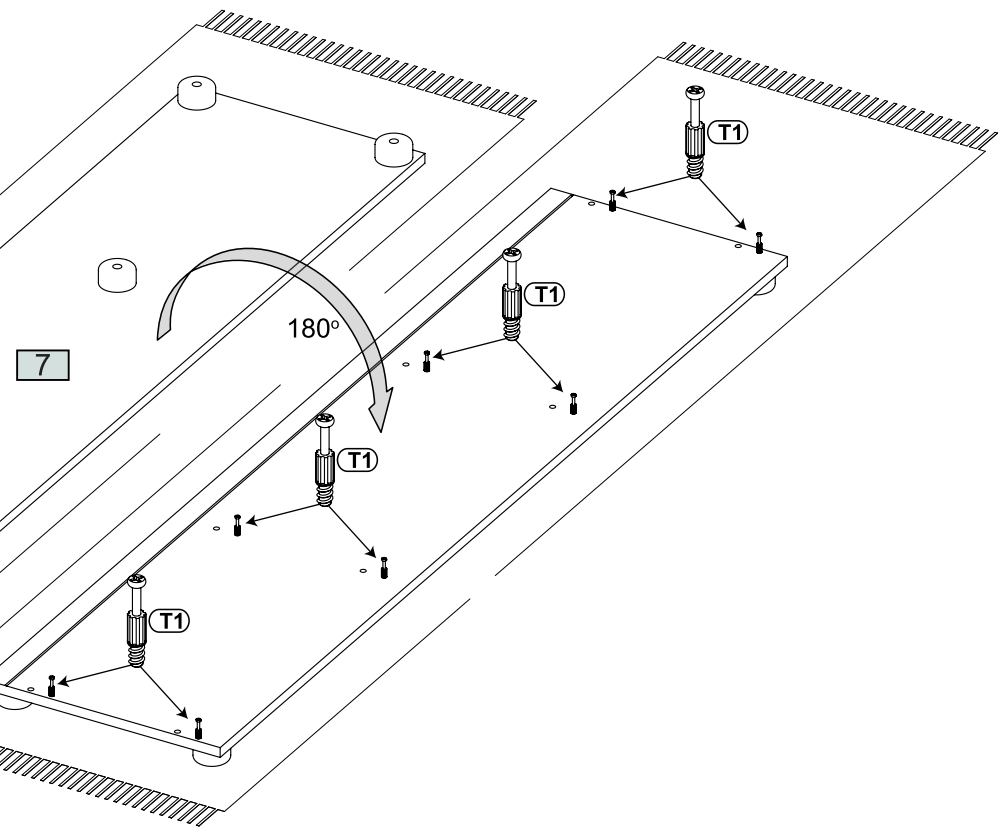
2

<b>F10</b>		x6
<b>P17</b>		x6
		4x20

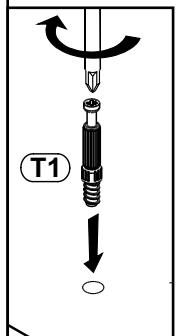
<b>T1</b>		x16
-----------	---	-----



8

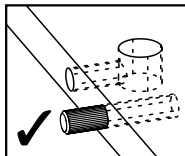
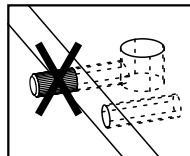
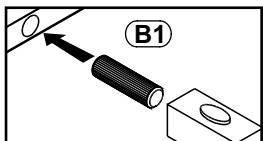
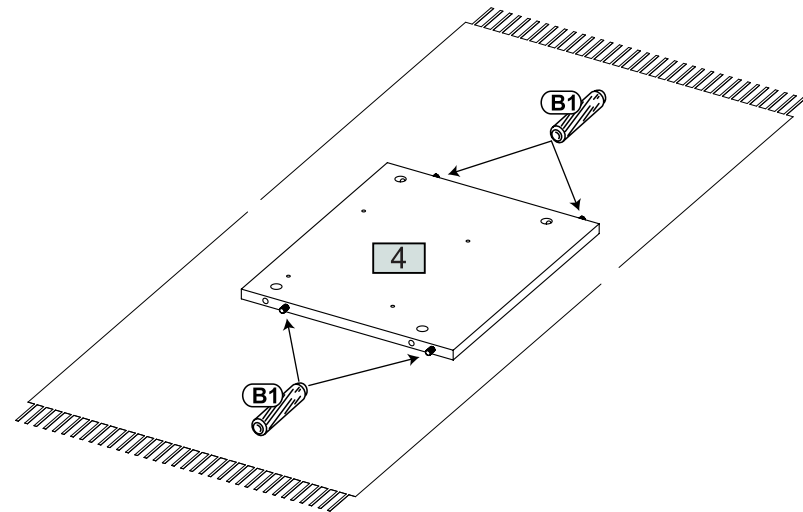
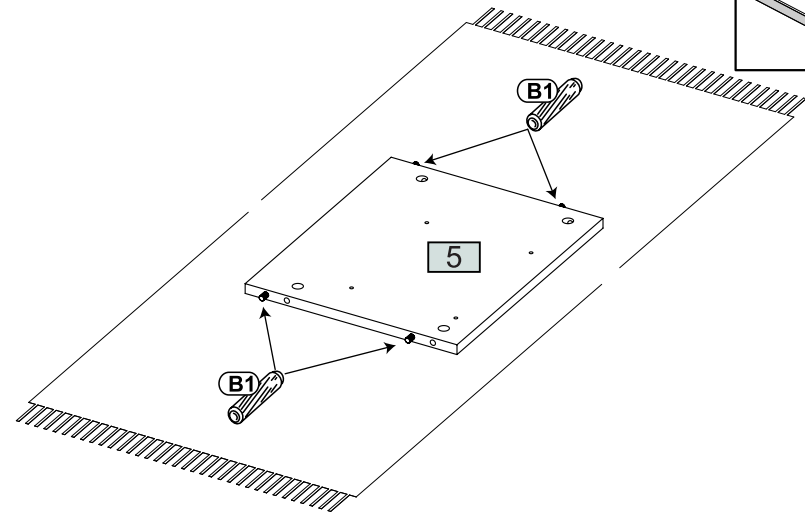
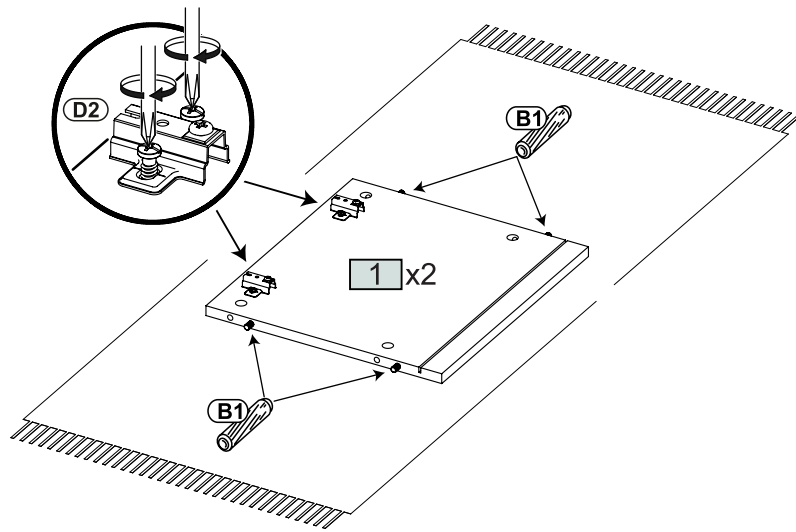
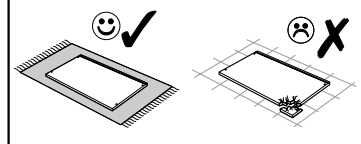
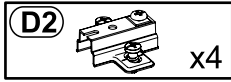
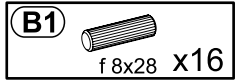


7

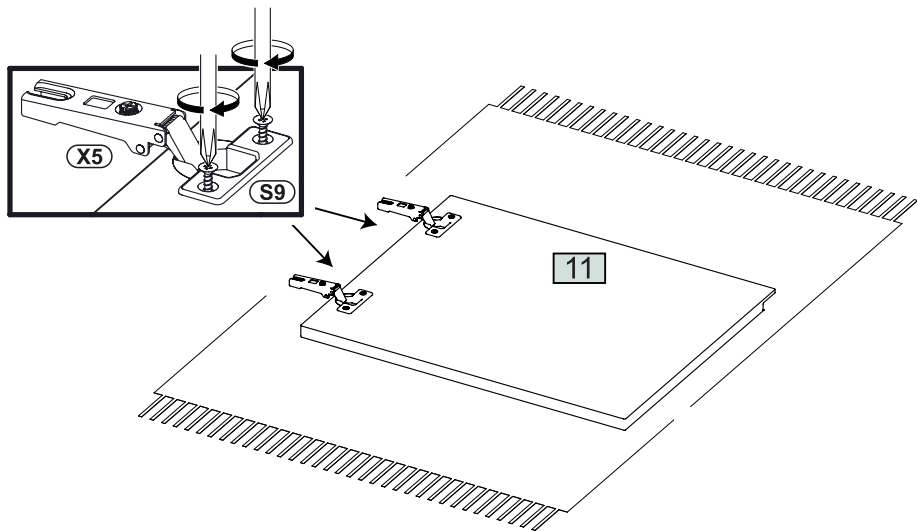
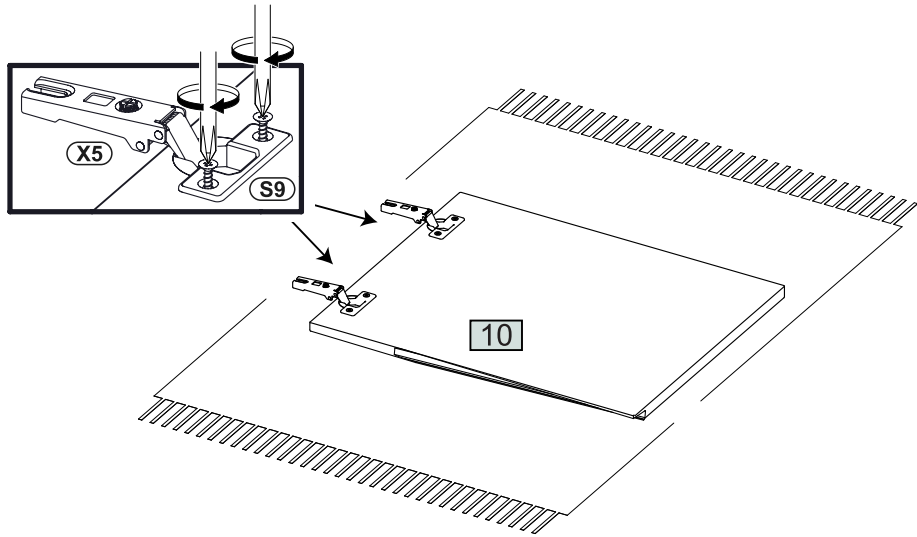
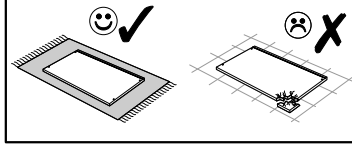
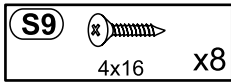
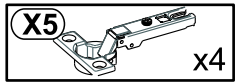


T1

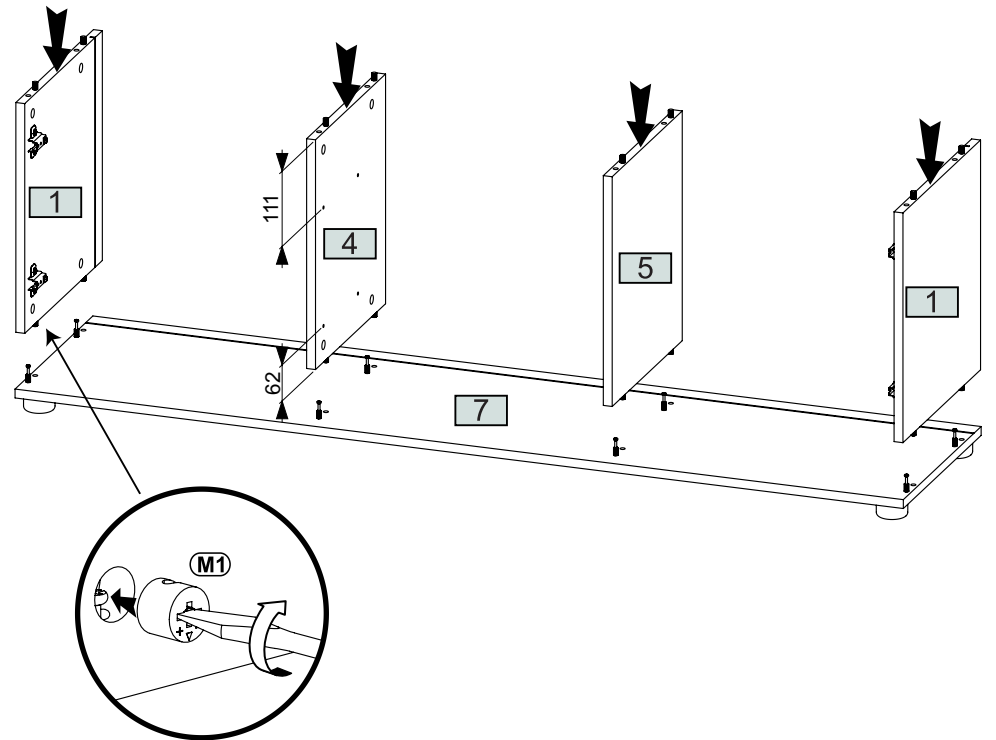
3



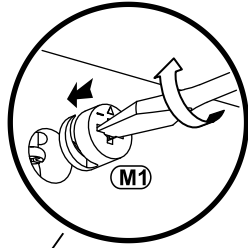
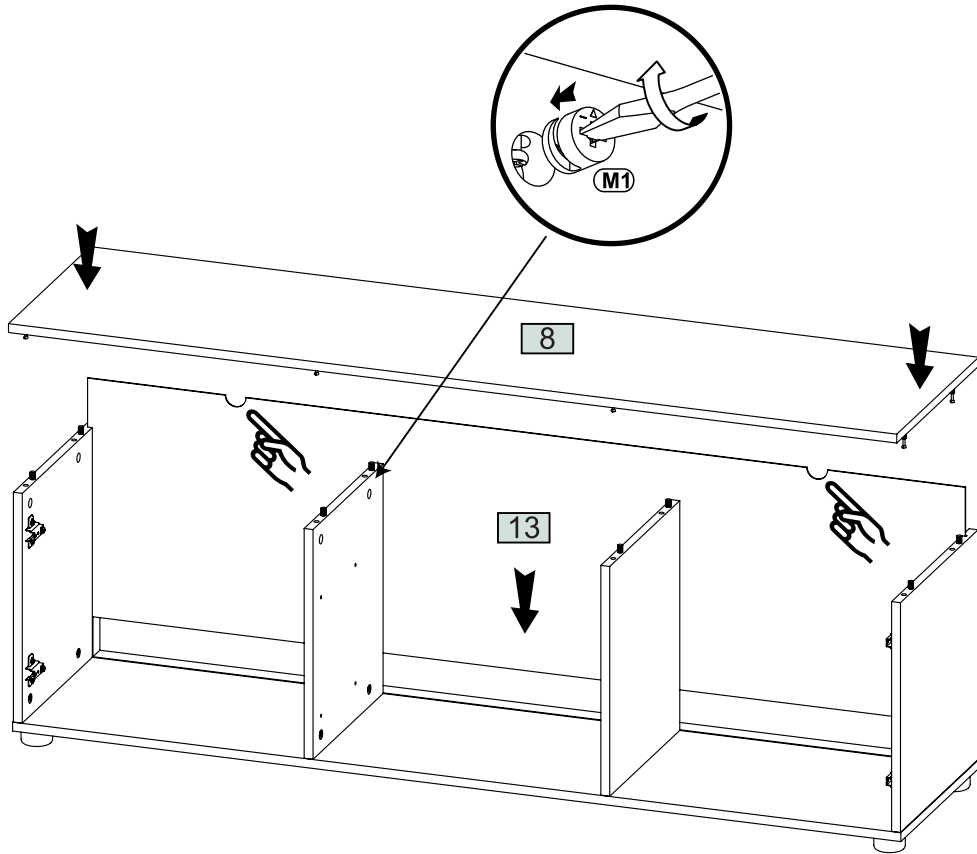
4



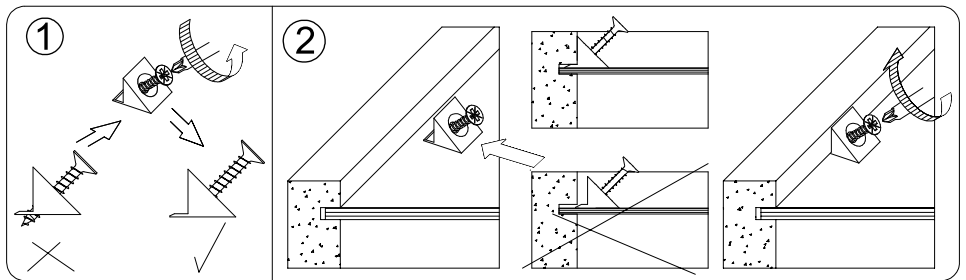
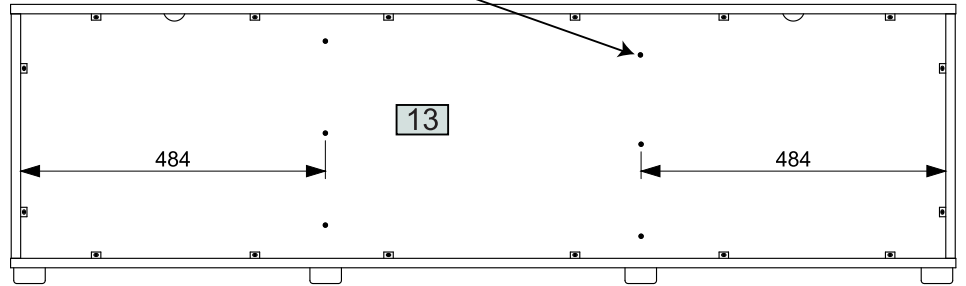
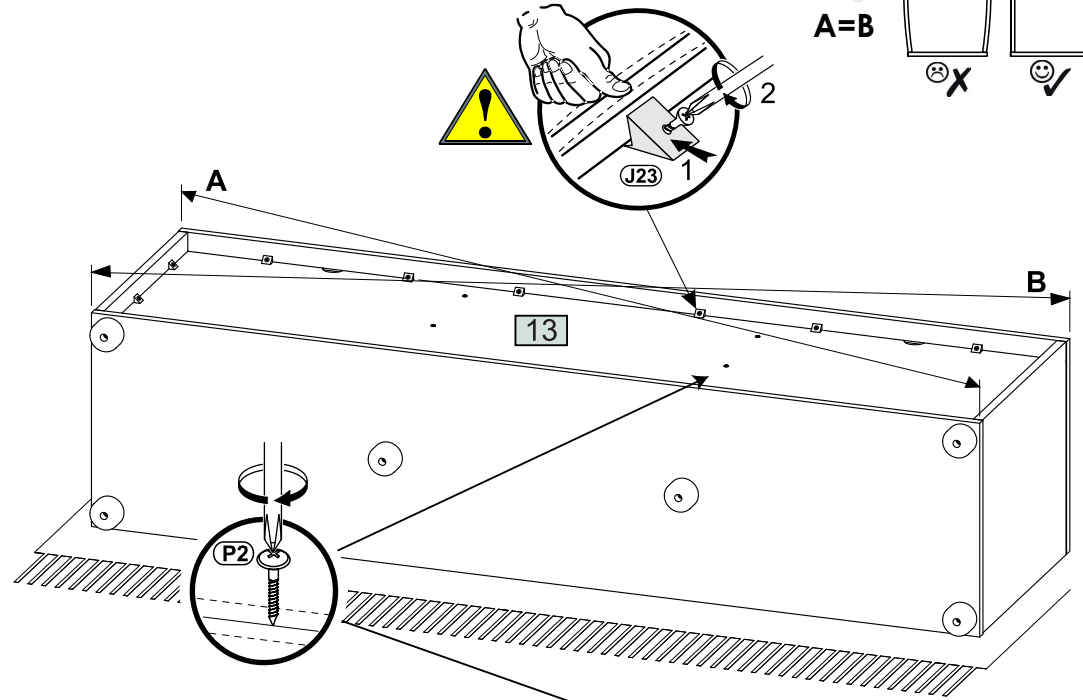
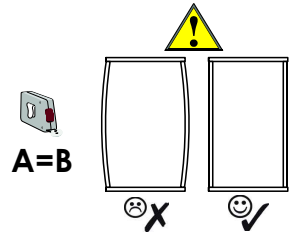
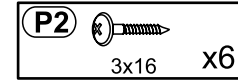
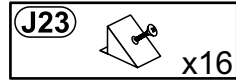
5



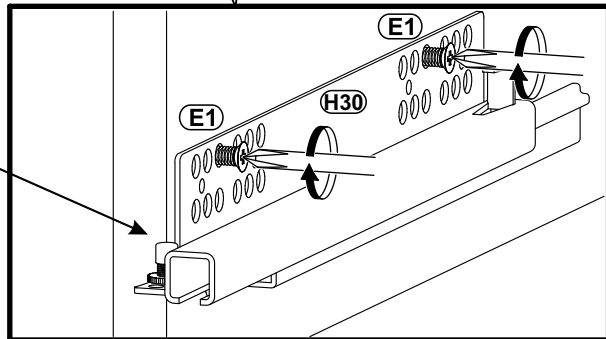
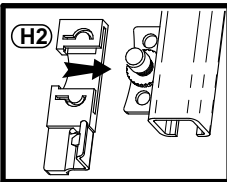
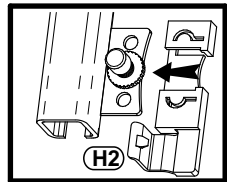
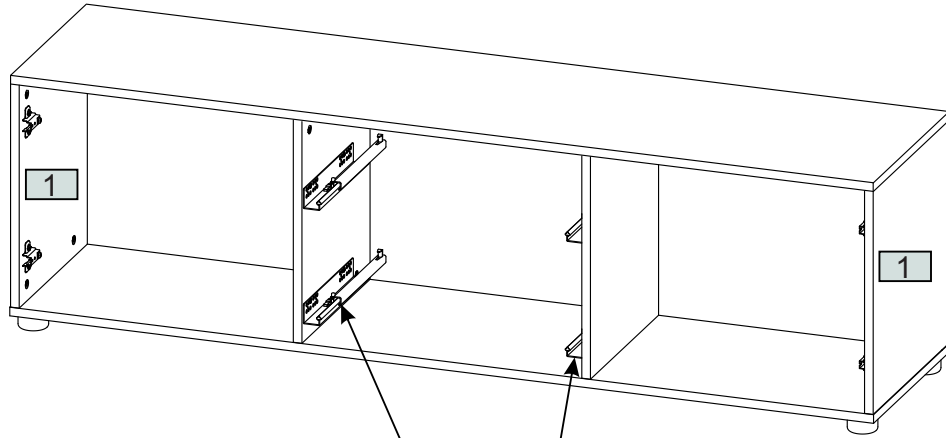
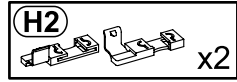
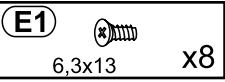
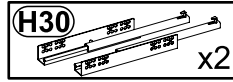
6



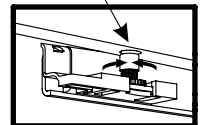
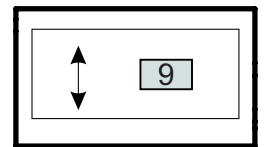
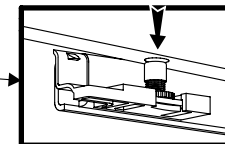
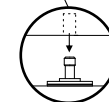
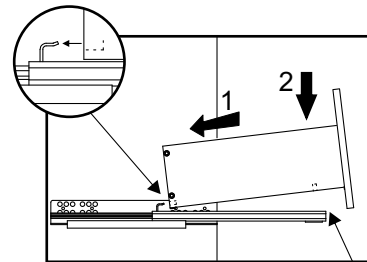
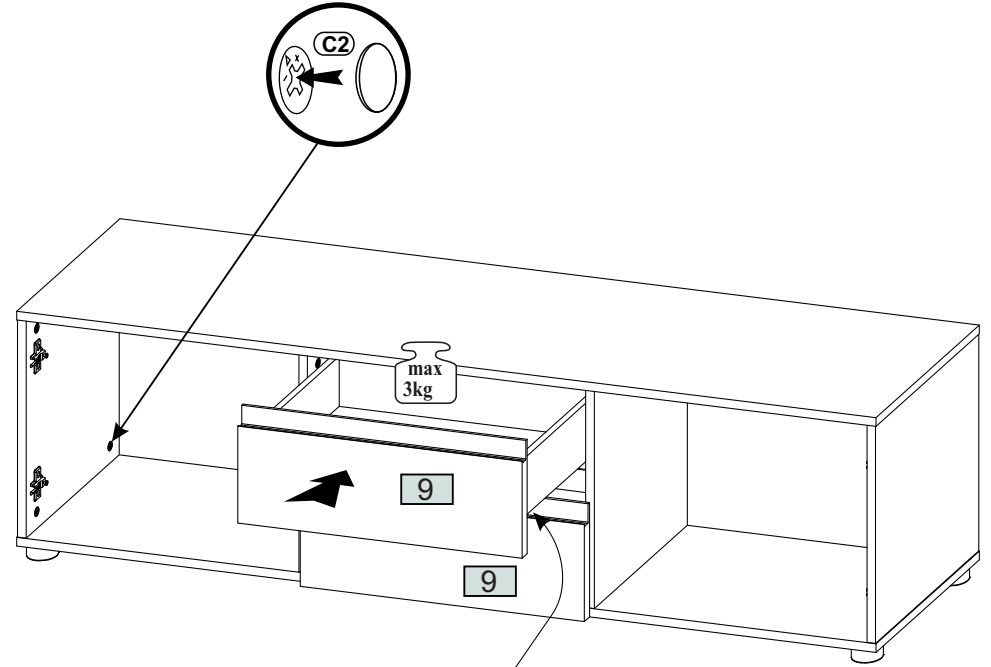
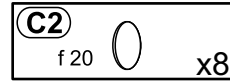
7



8



9





10

