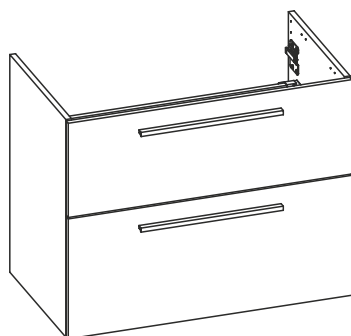
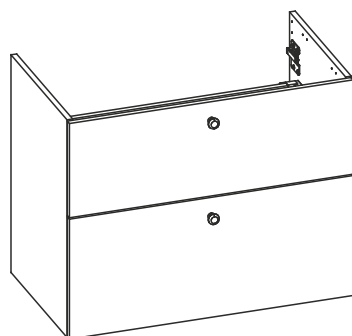
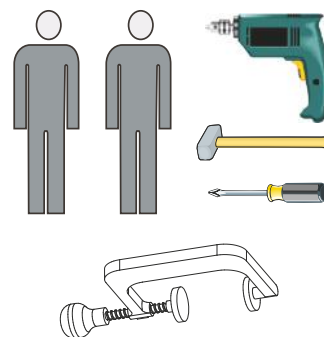

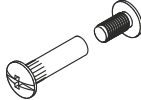

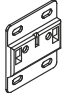
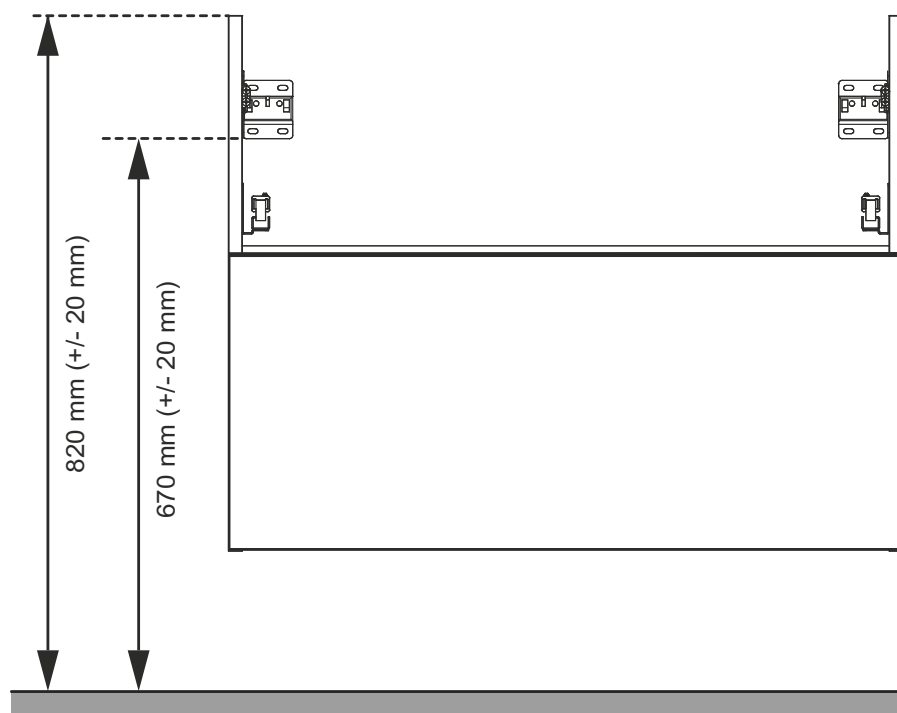


60 2DR  
80 2DR  
100 2DR

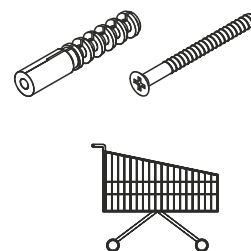


<b>R8</b>	<b>X</b>
	
x 4	x 1
<b>P0</b>	<b>P15</b>
 $\varnothing 5$	
x 6	x 2

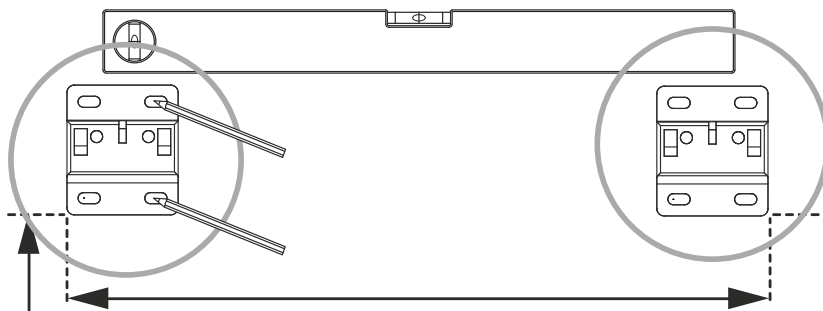
01.



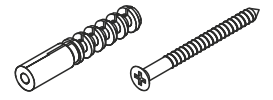
x8



02.

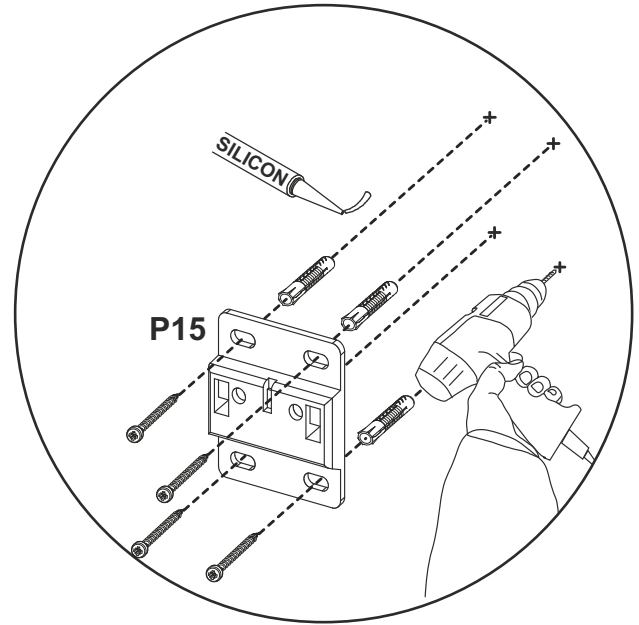
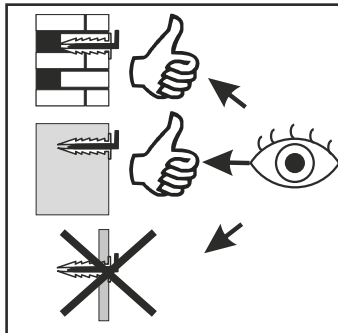


x8

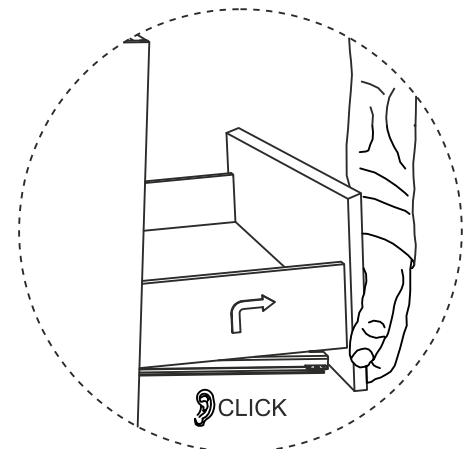
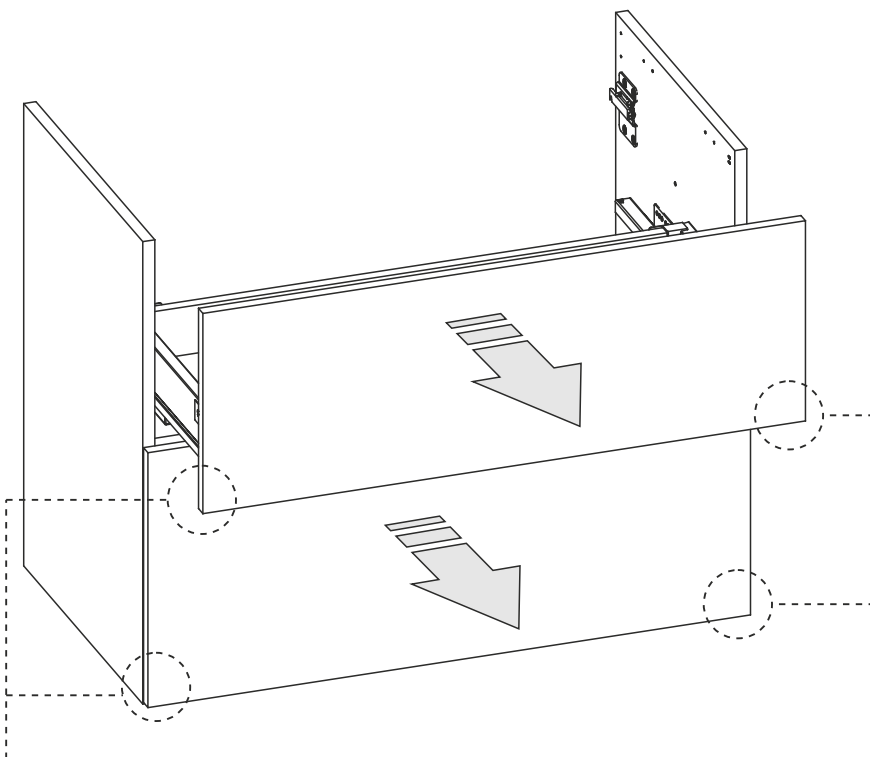


565 mm - 60 2DR  
765 mm - 80 2DR  
965 mm - 100 2DR

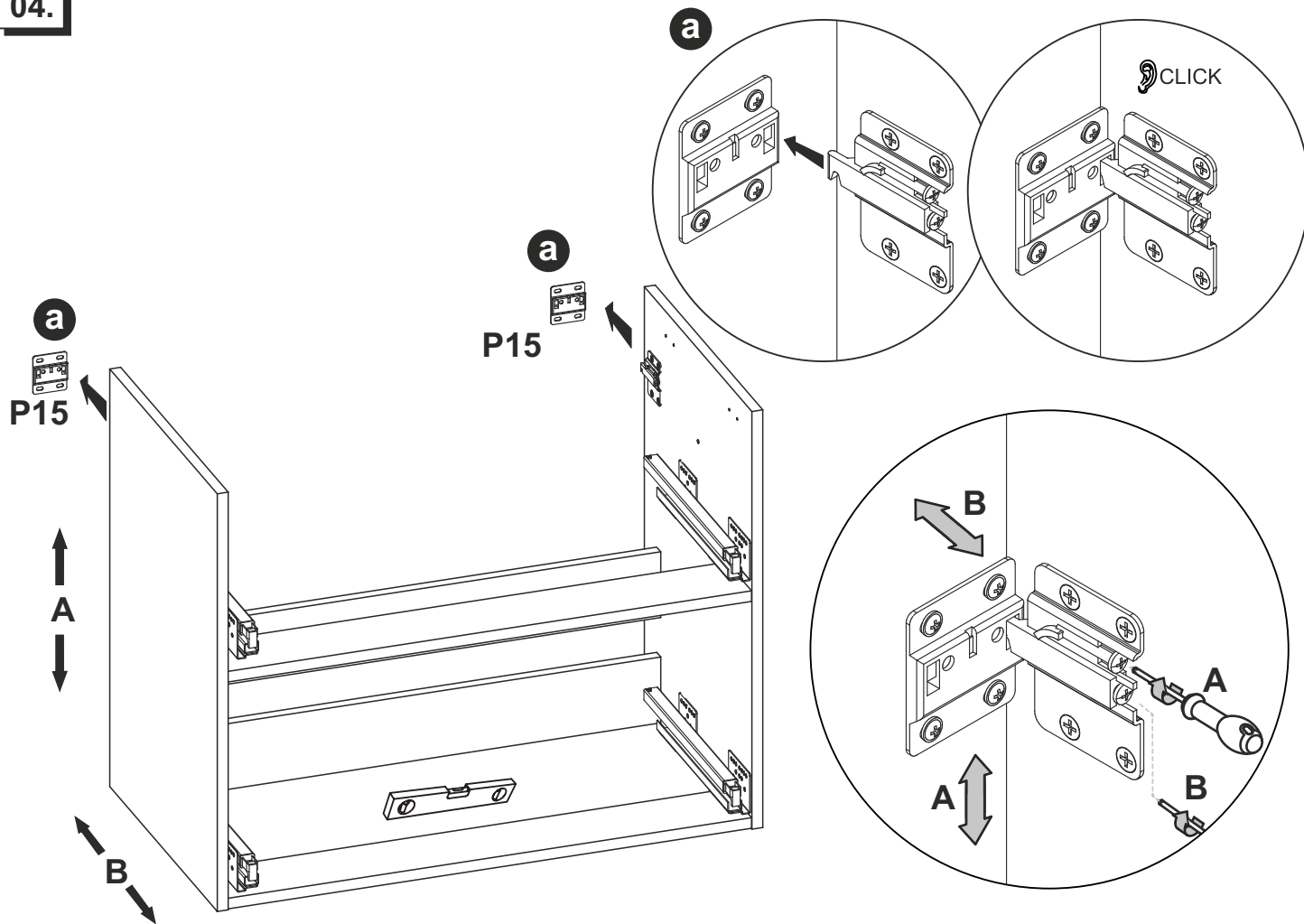
670 mm (+/- 20 mm)



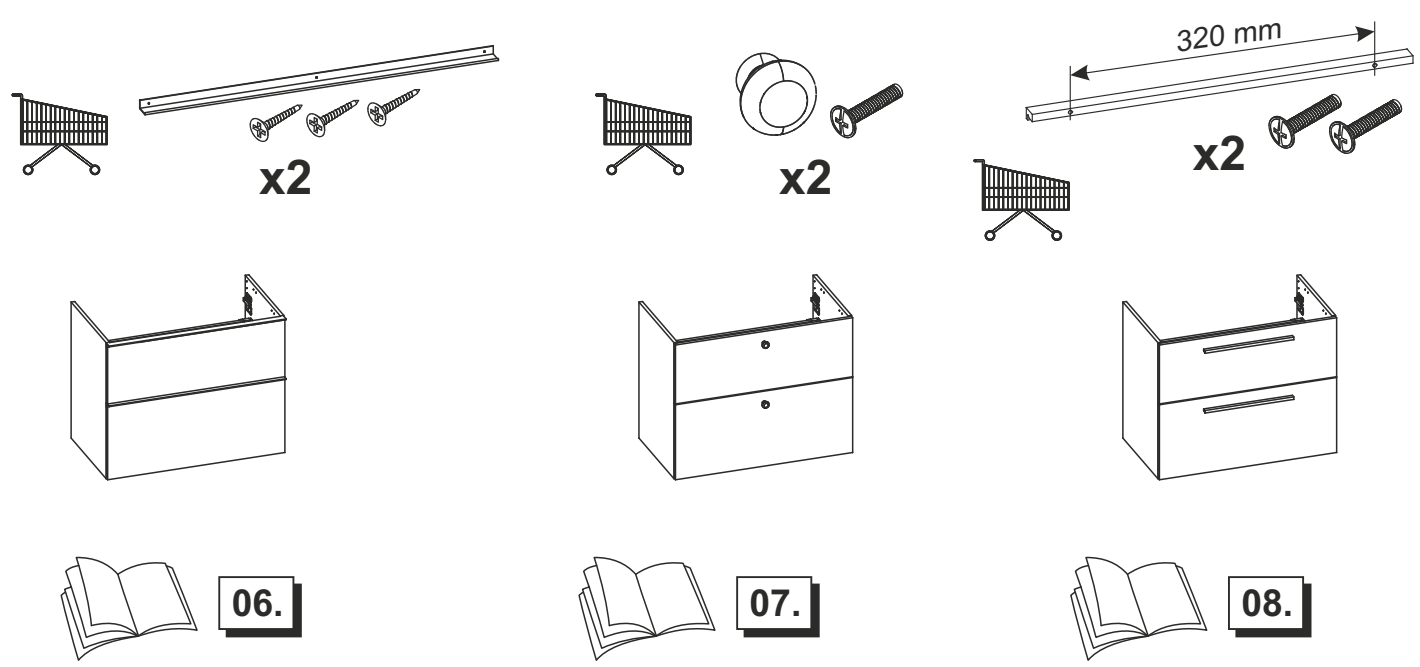
03.

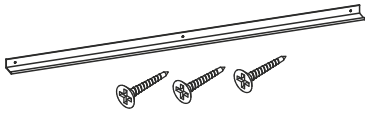
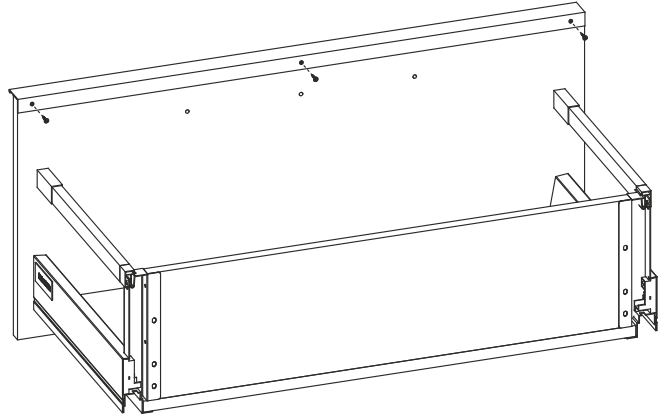
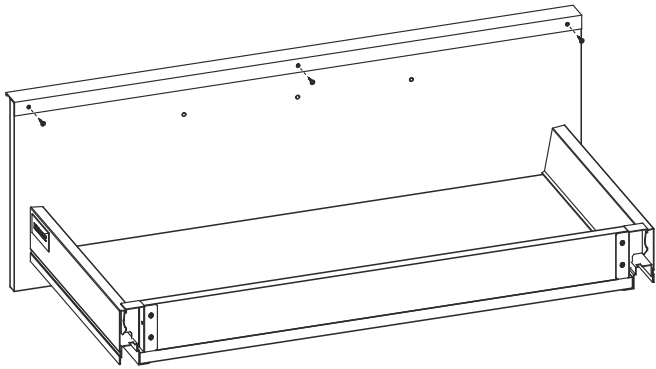


04.

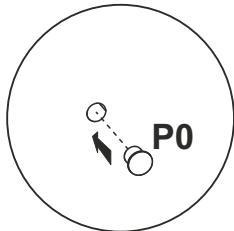
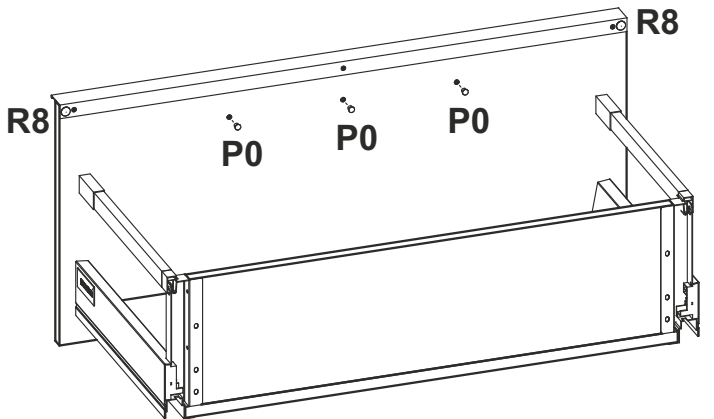
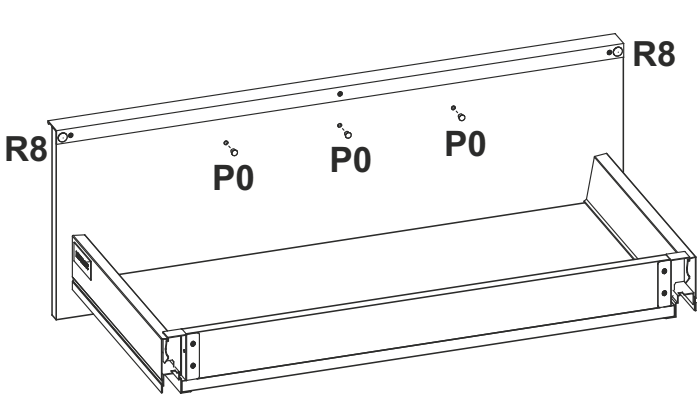
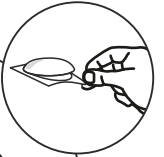
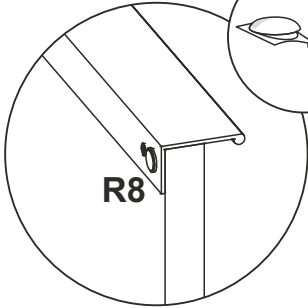
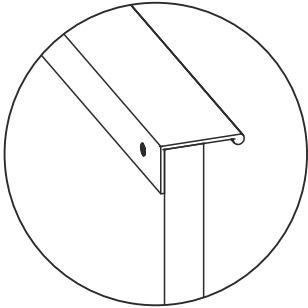
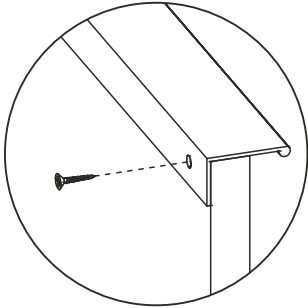
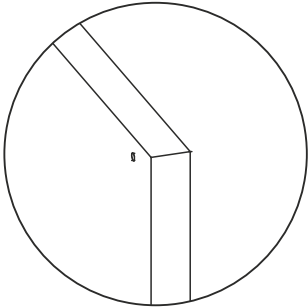


05.

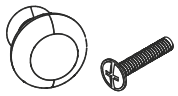
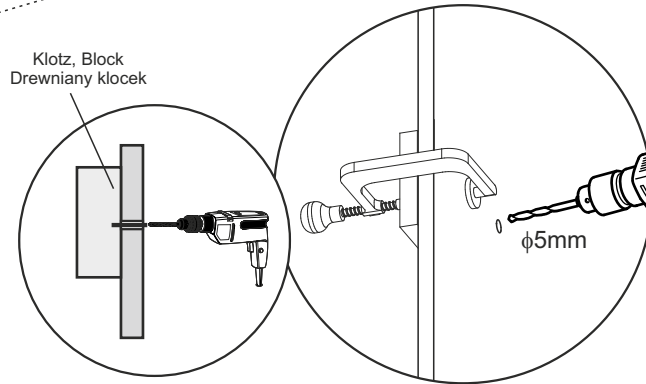
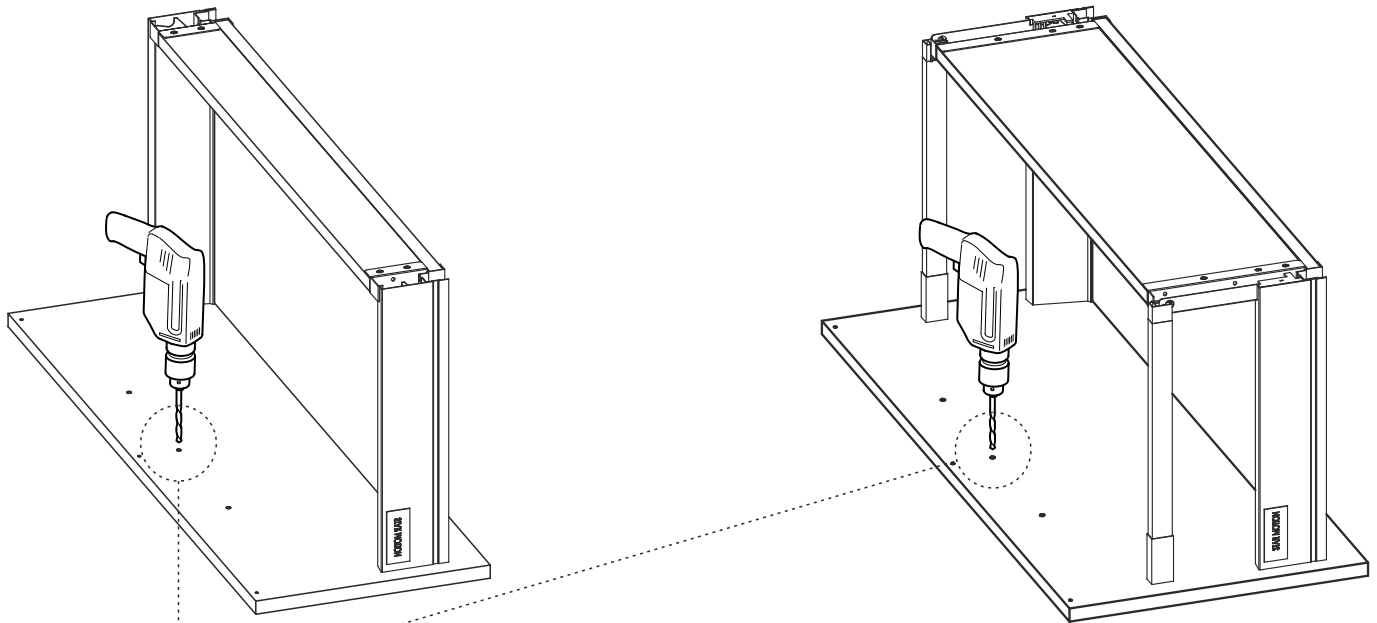




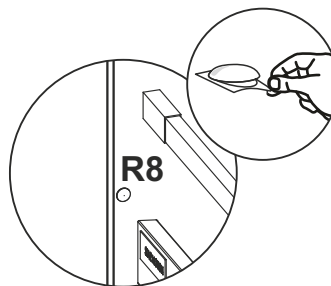
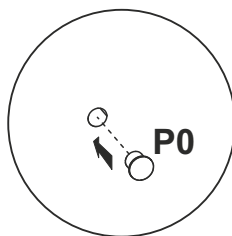
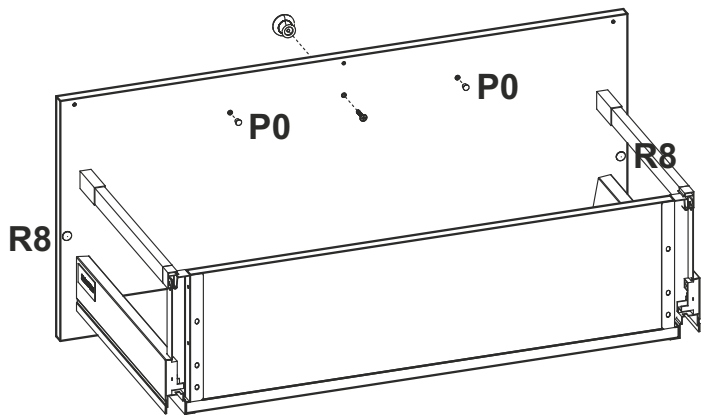
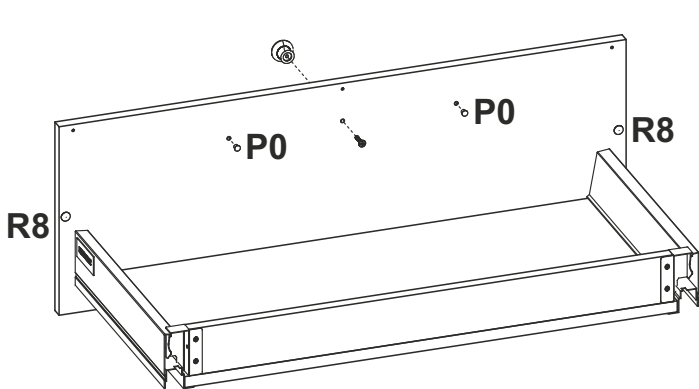
x2



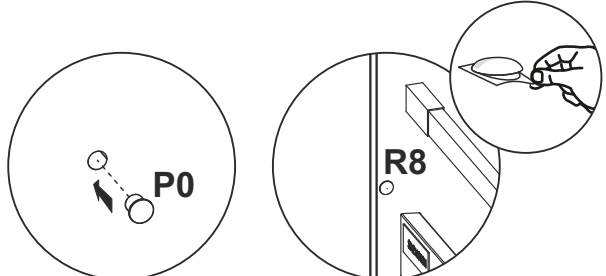
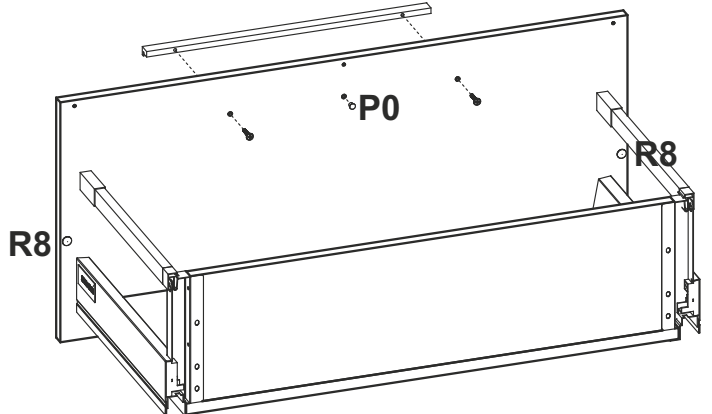
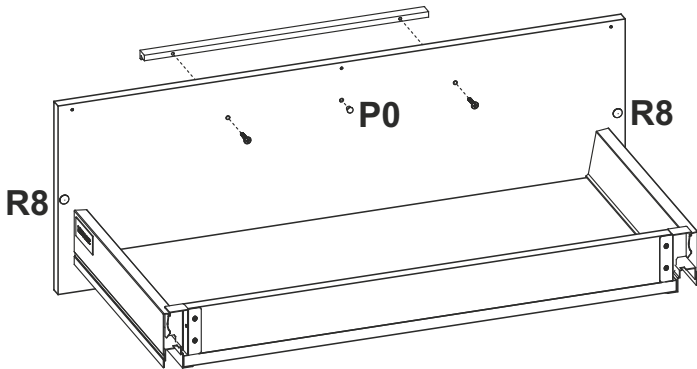
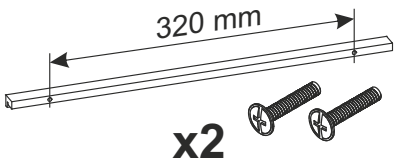
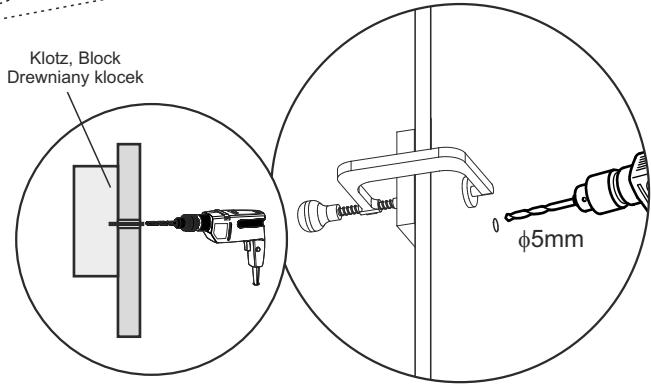
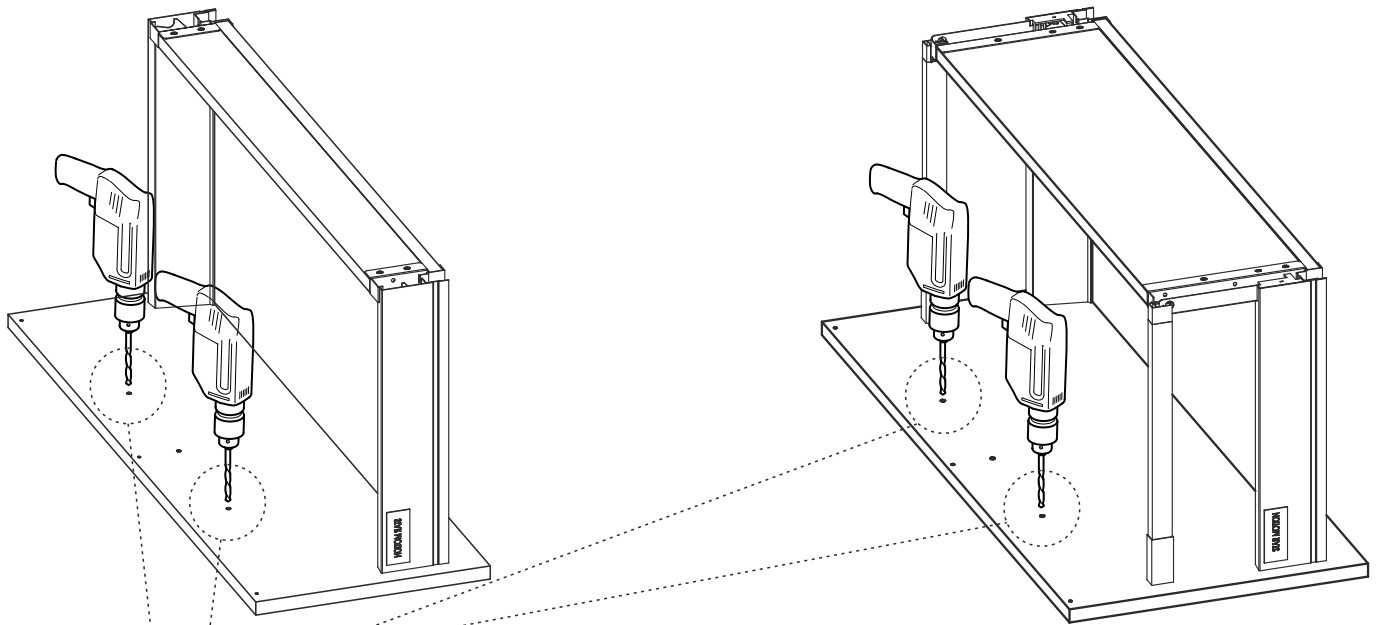
07.



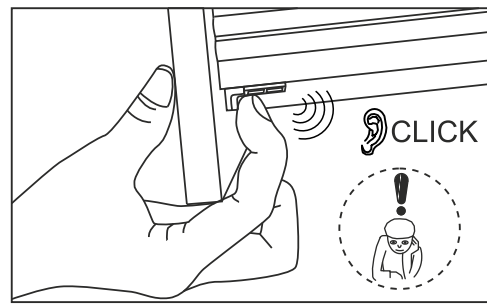
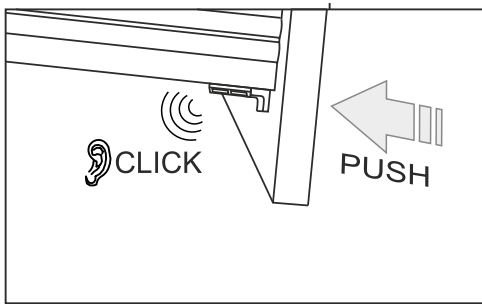
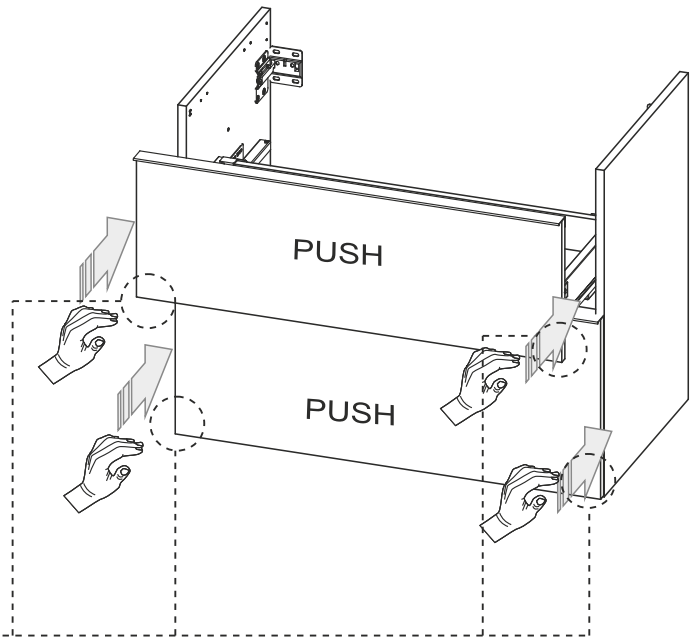
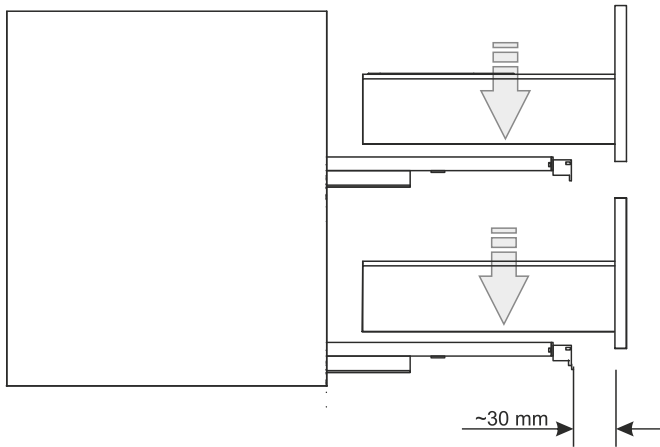
x2



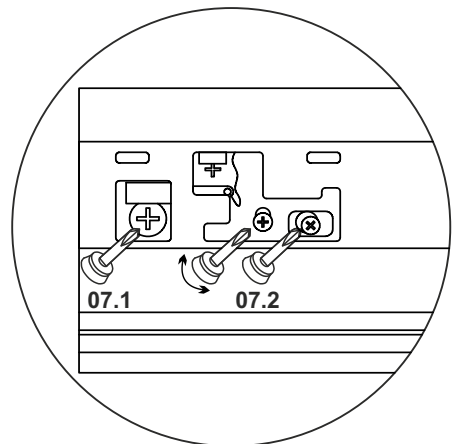
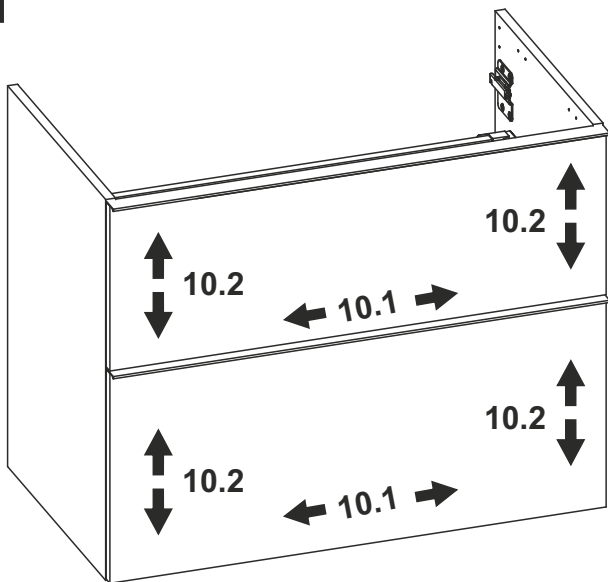
08.



09.



10.



11.

