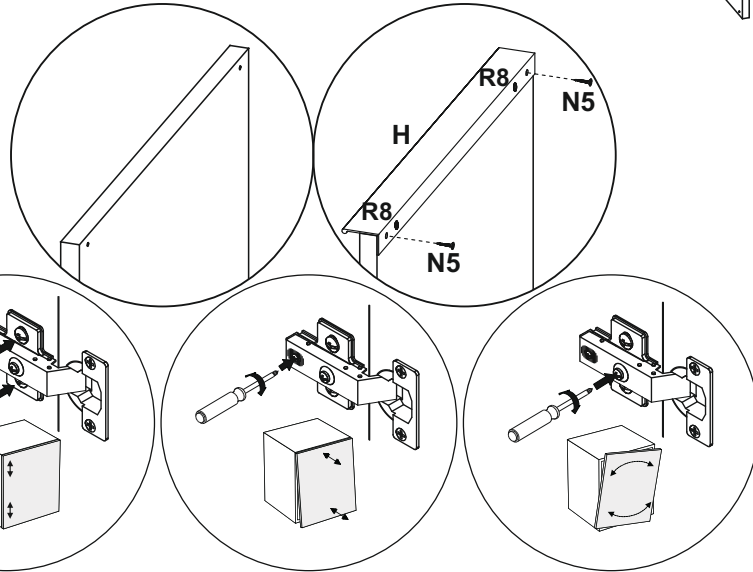
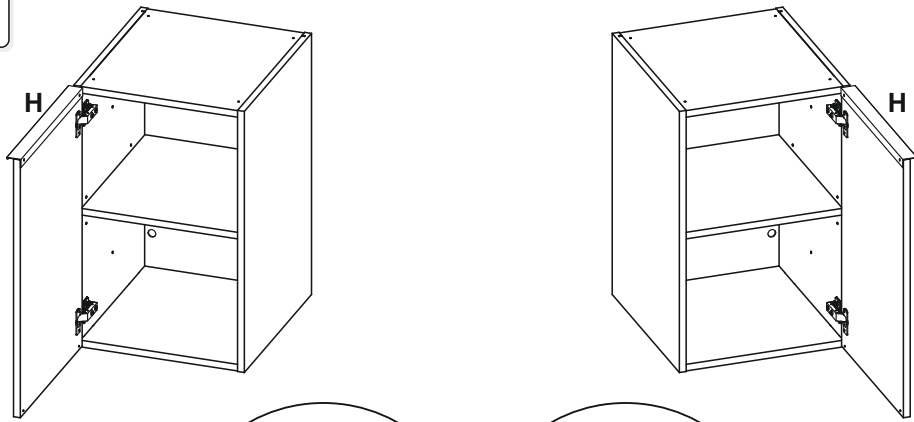
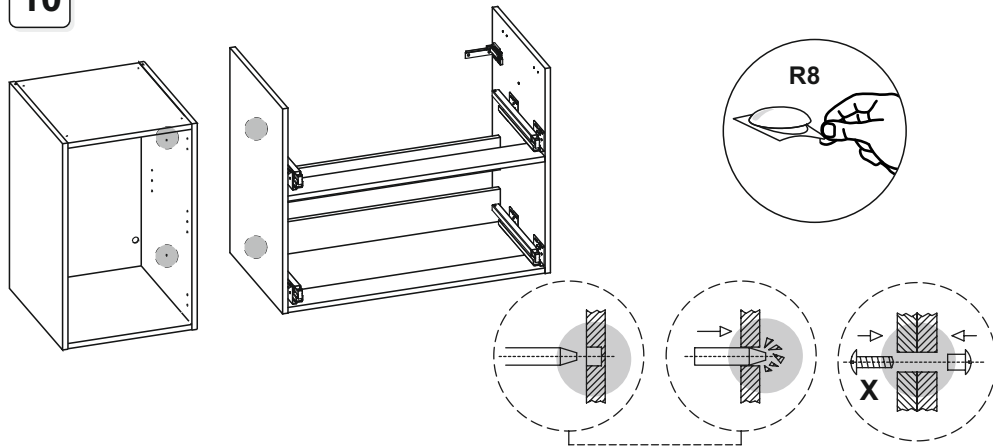


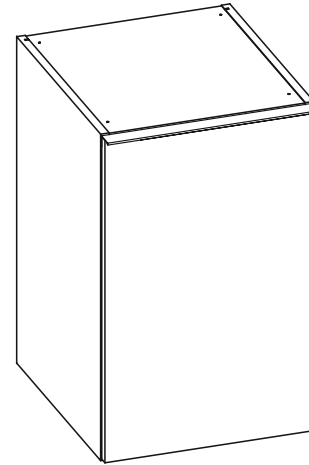
9




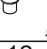

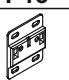
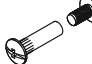


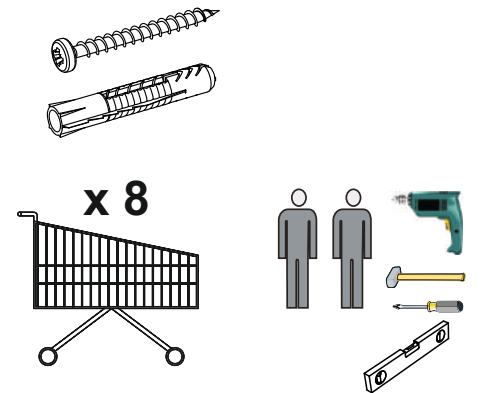
10



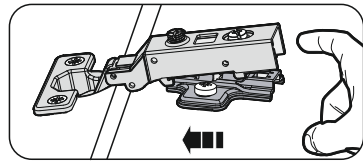
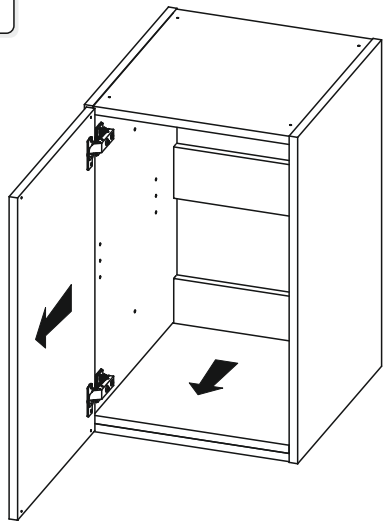
40 1D



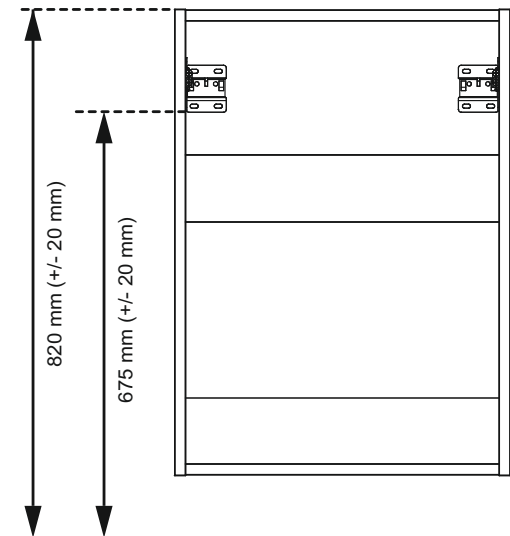
N5  US3,5x16 x 2	H  x 1	
D1  x 4	P0  ø 5 x 12	R8  x 2
P15  x 2	X  x 1	



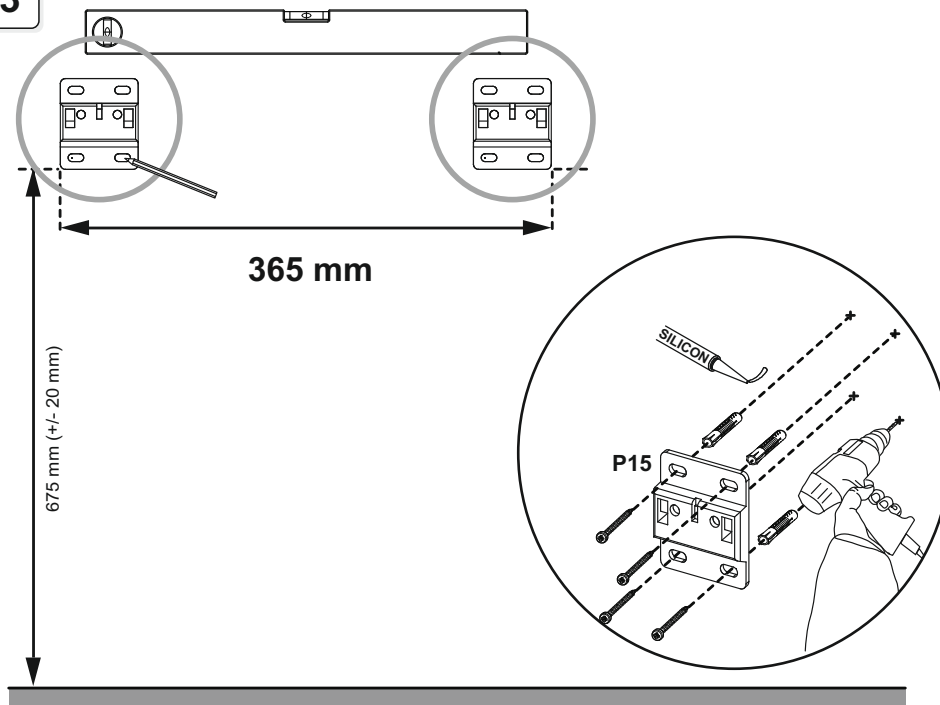
1



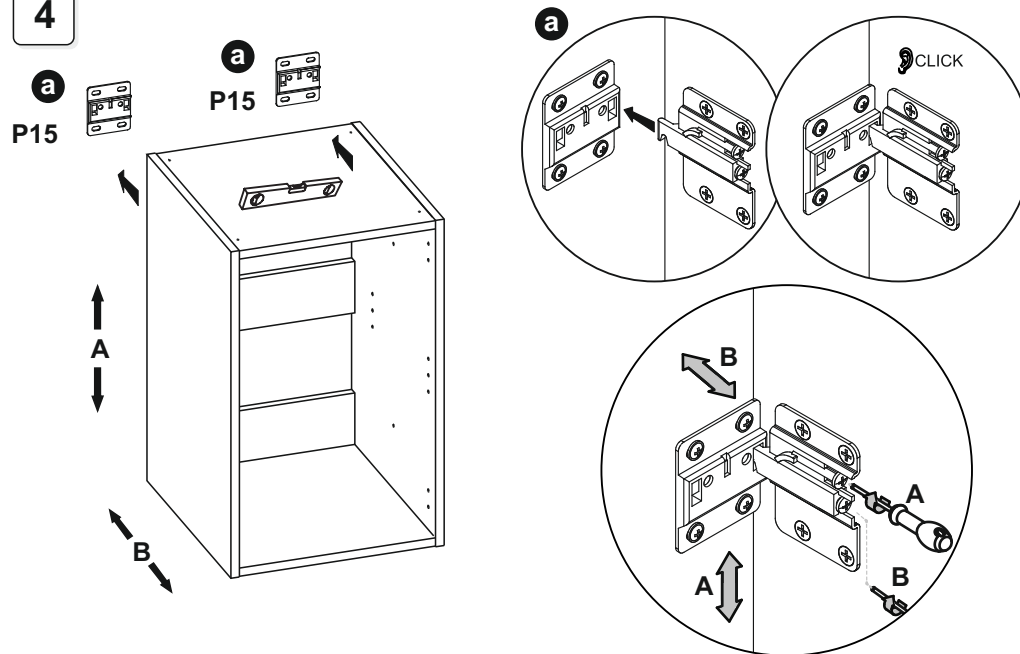
2



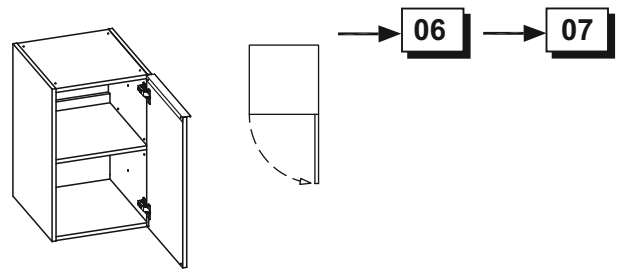
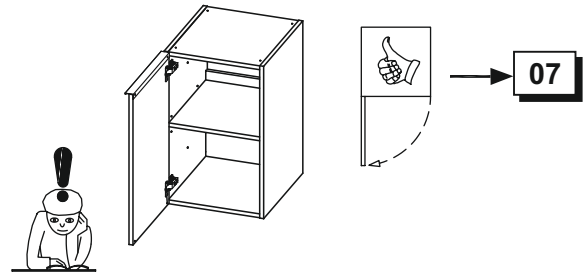
3



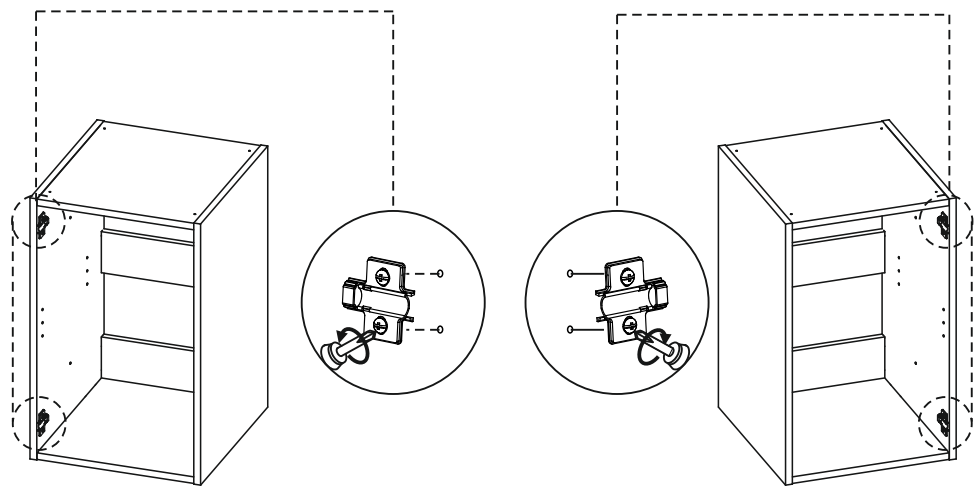
4



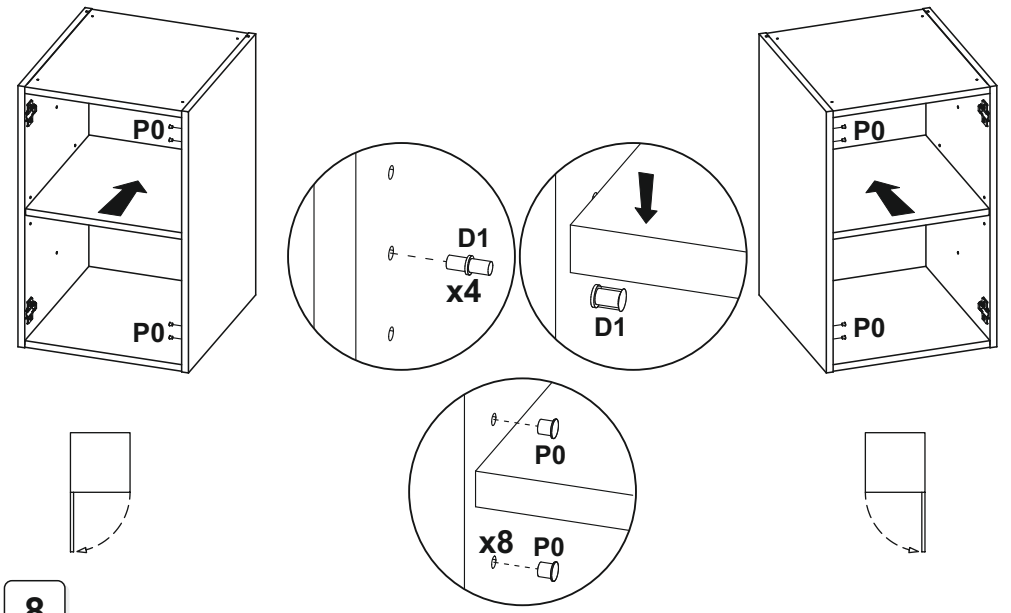
5



6



7



8

