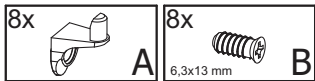
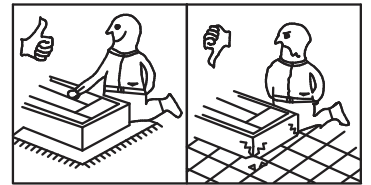
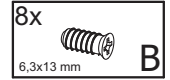
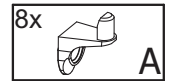
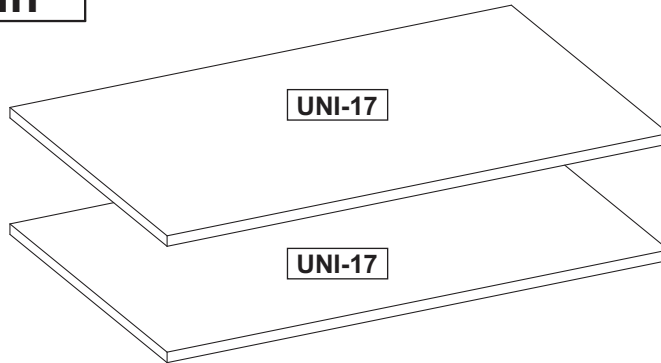
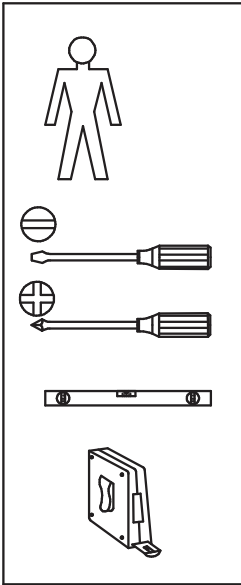


# TYP 34

UNI-17	7020081	879x550x18	2x	1/1
--------	---------	------------	----	-----



**1**

