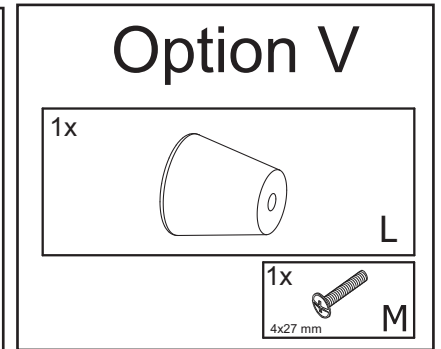
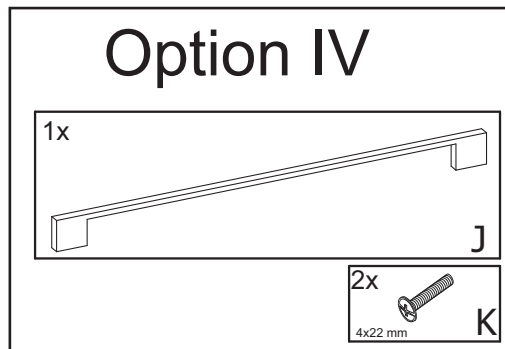
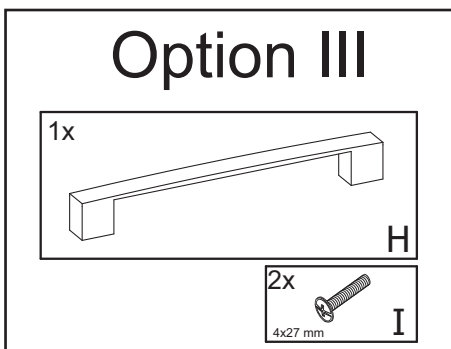
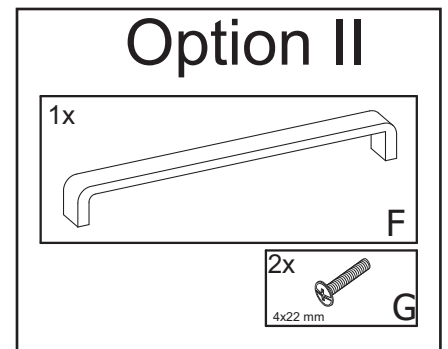
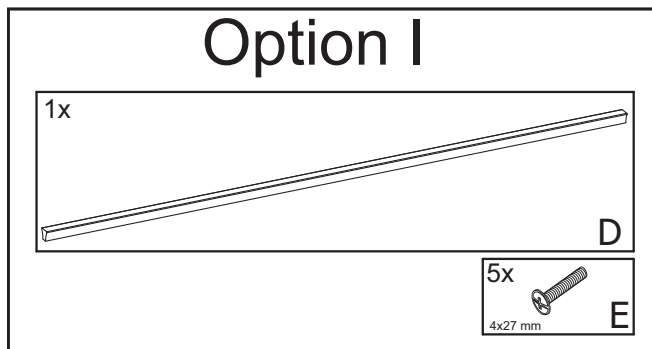
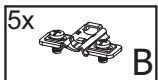
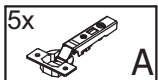
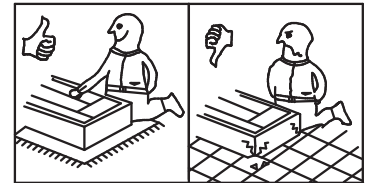
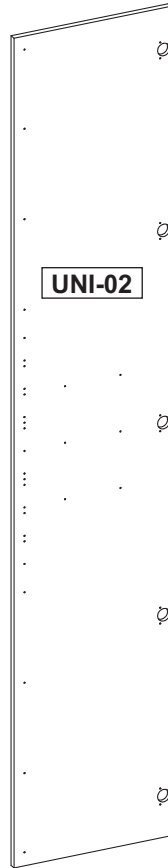
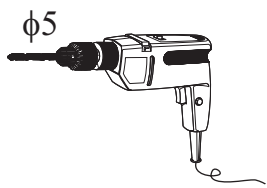
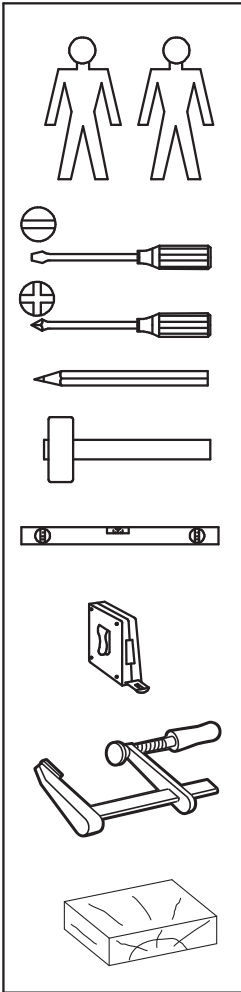
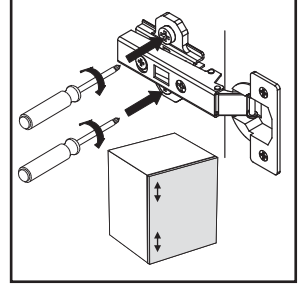
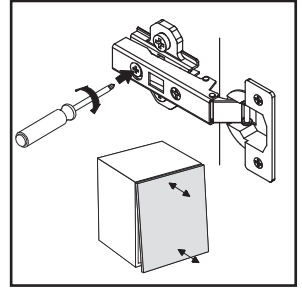
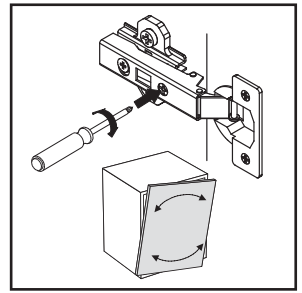
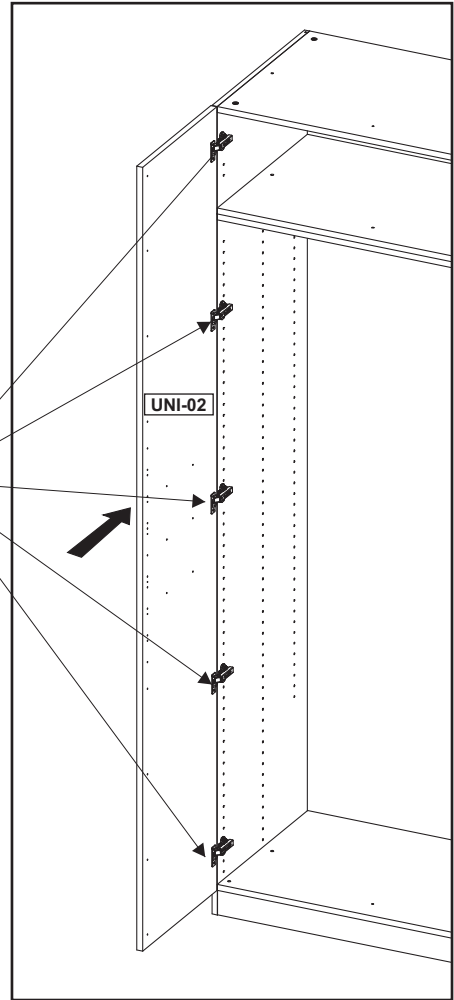
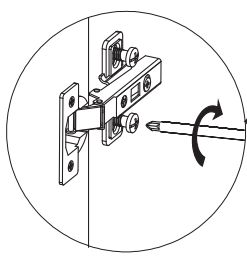
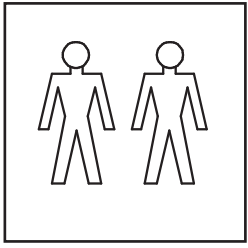
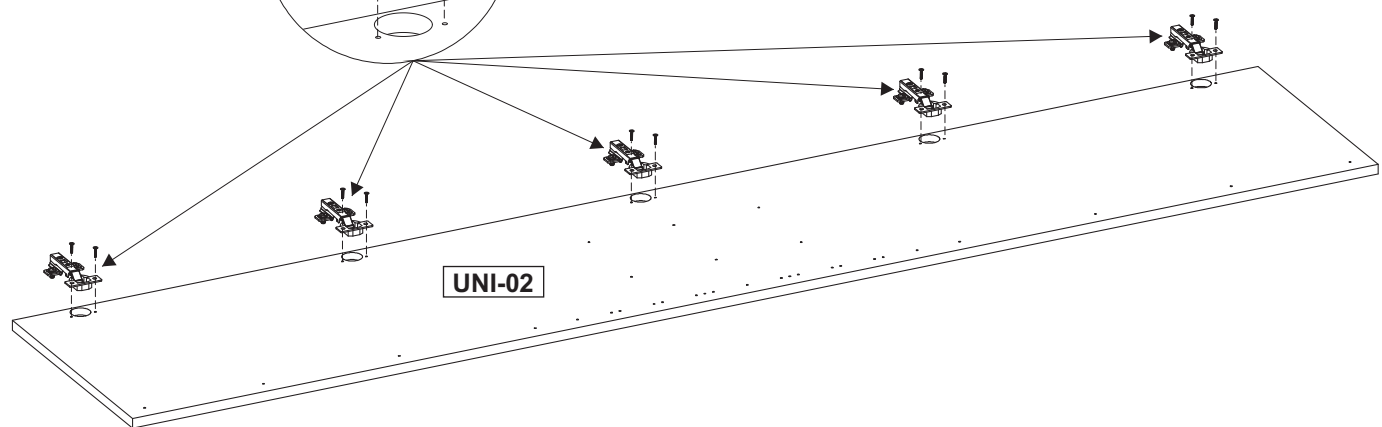
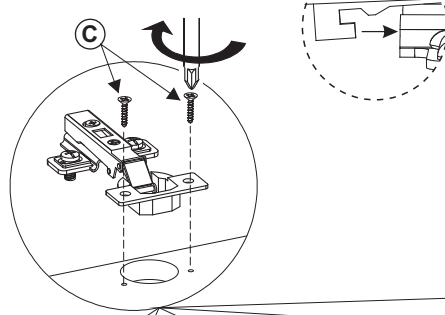
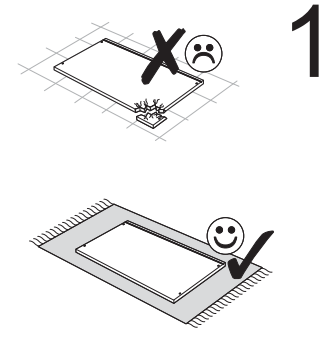
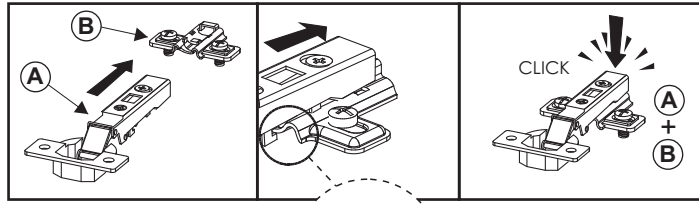
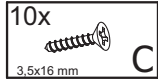
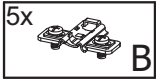
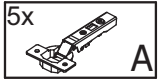


3012733

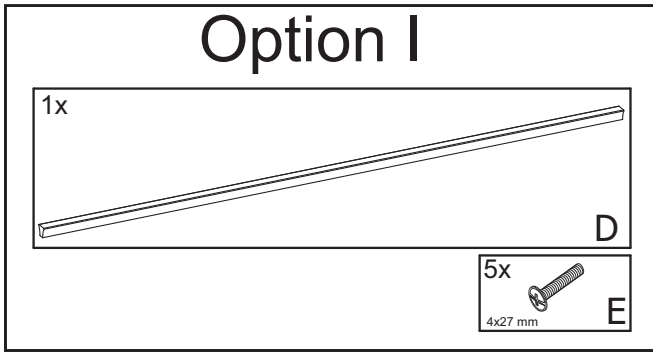
UNI-02	4003600	2348x453x18	1/1
--------	---------	-------------	-----



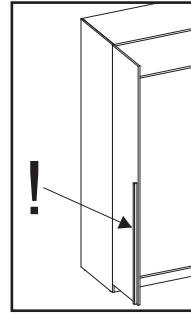


2

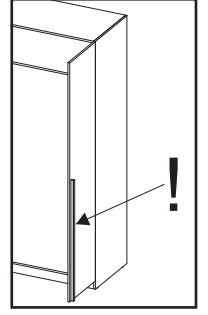
Option I



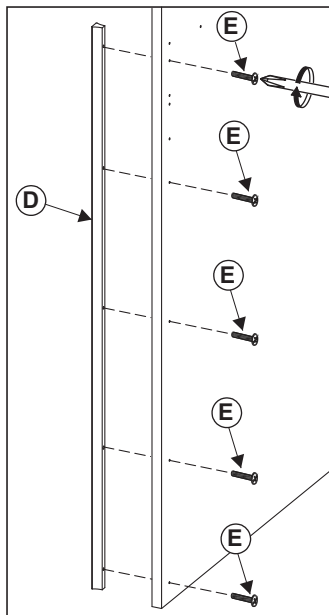
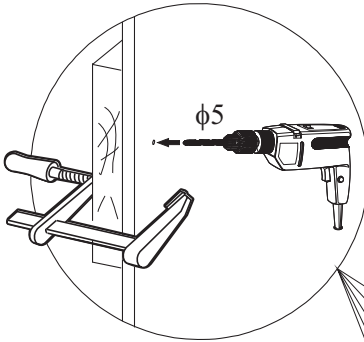
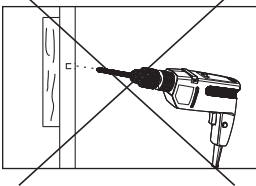
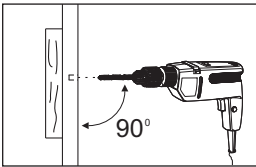
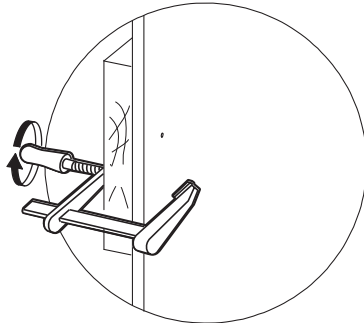
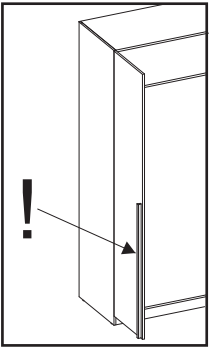
Left door



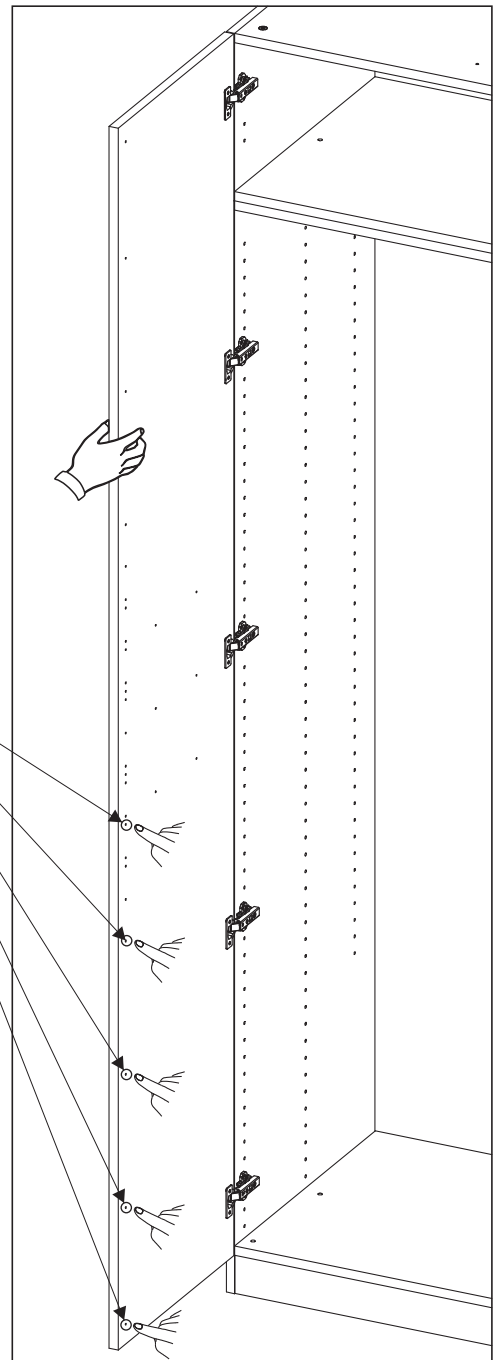
Right door



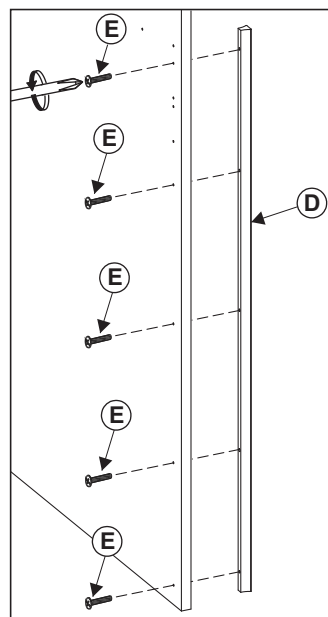
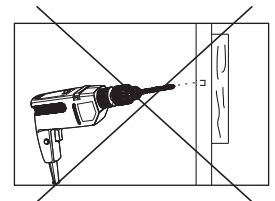
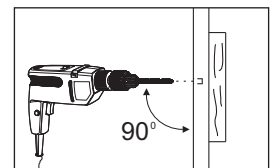
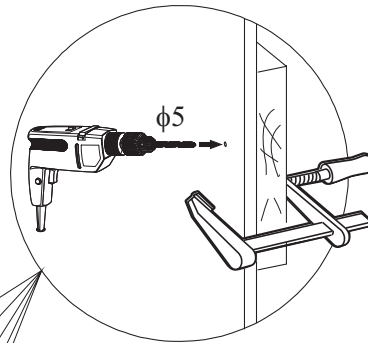
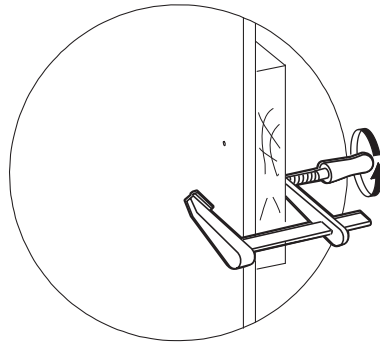
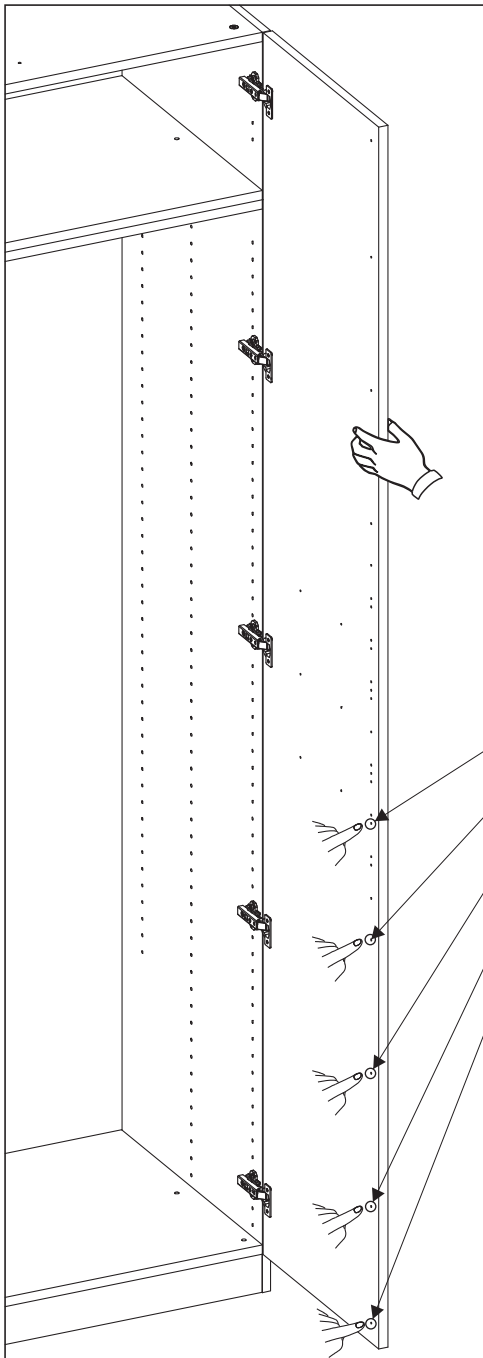
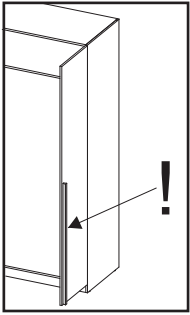
Left door



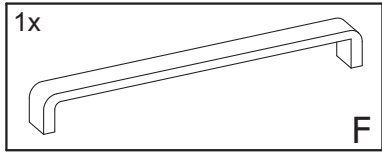
3



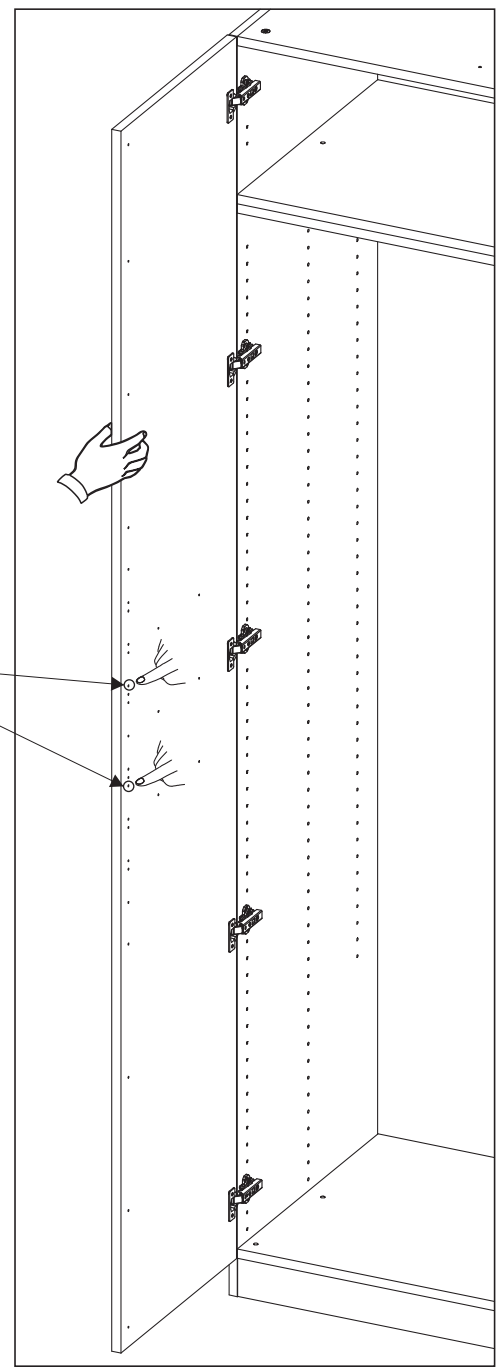
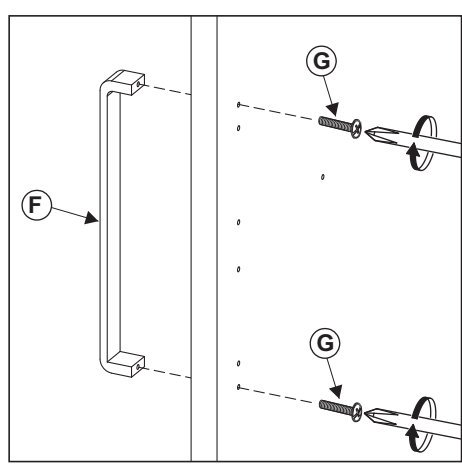
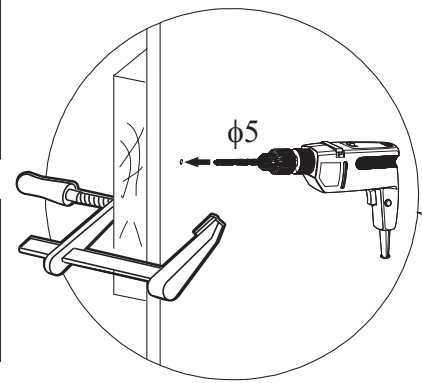
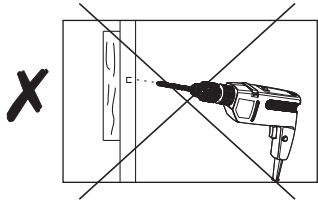
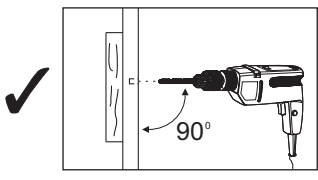
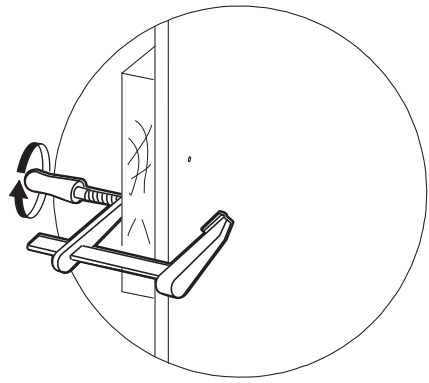
Right door



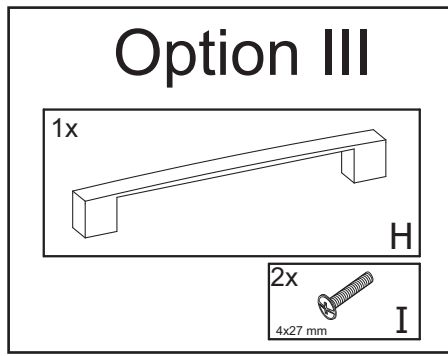
Option II



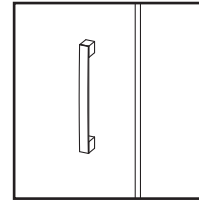
5



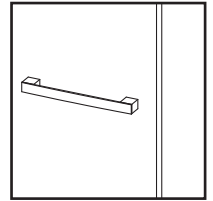
Option III



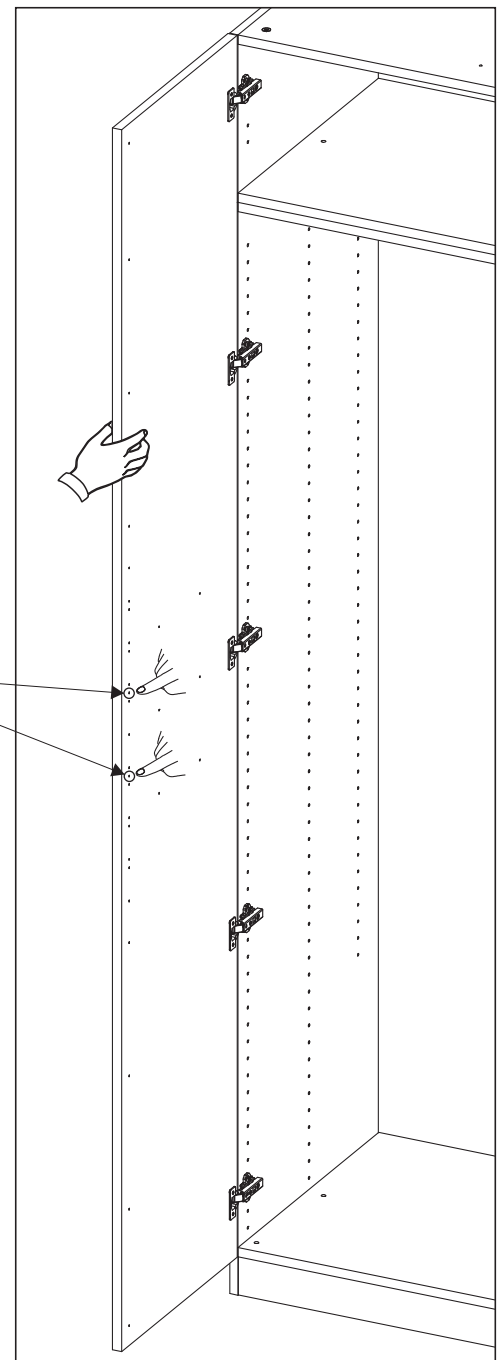
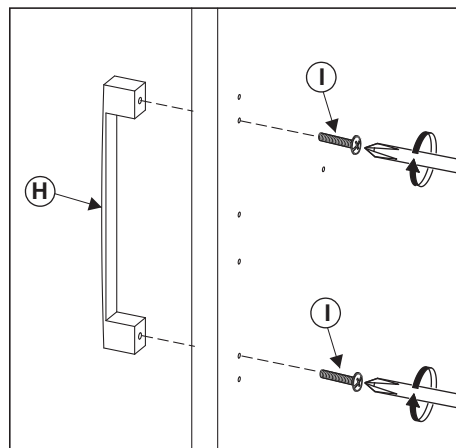
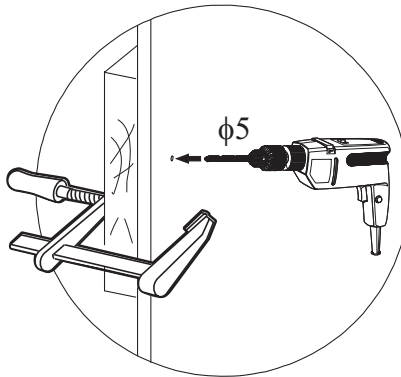
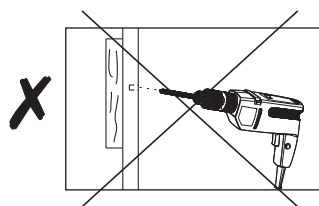
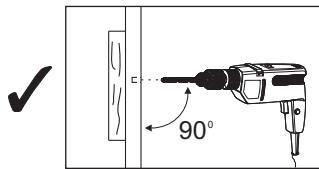
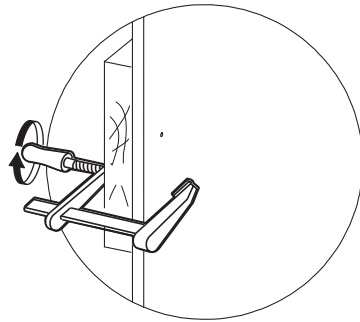
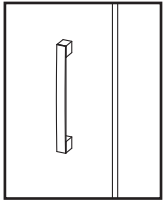
Version A



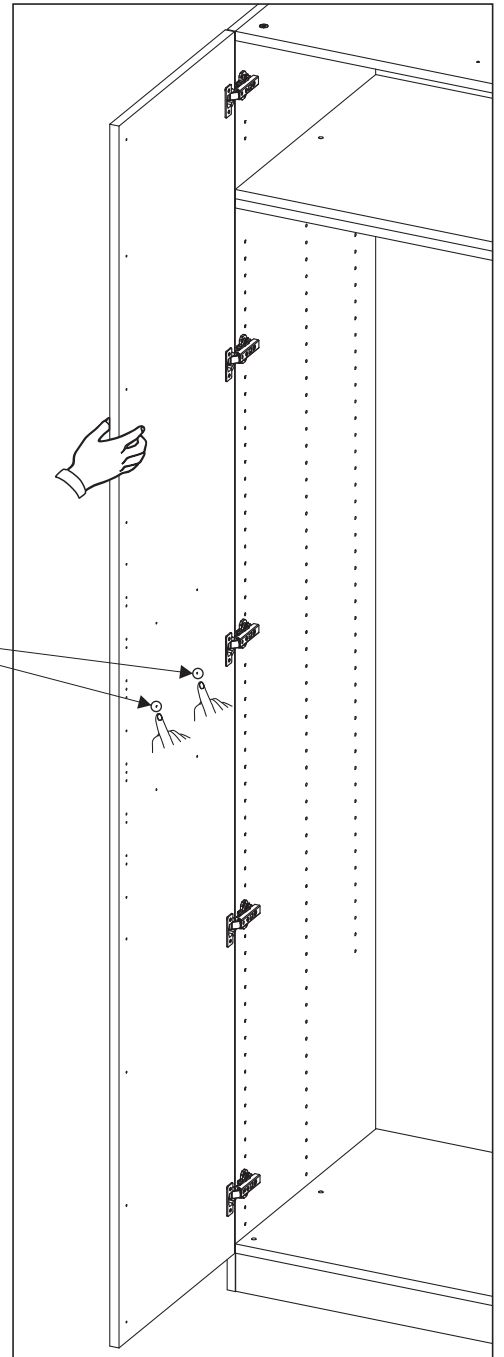
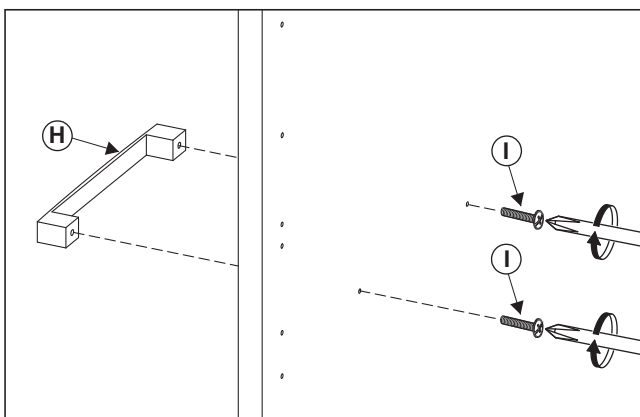
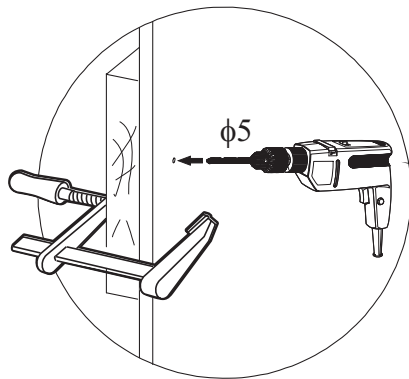
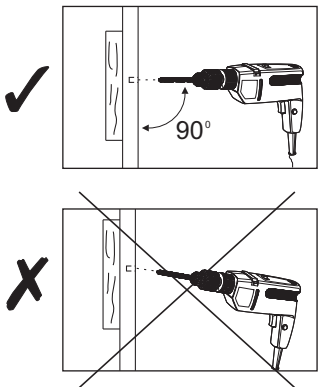
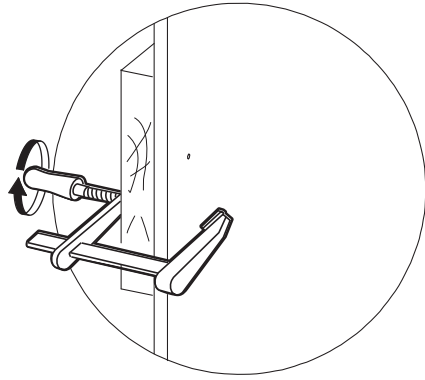
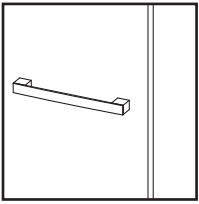
Version B



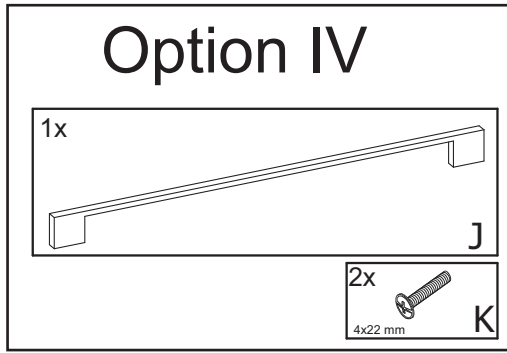
Version A



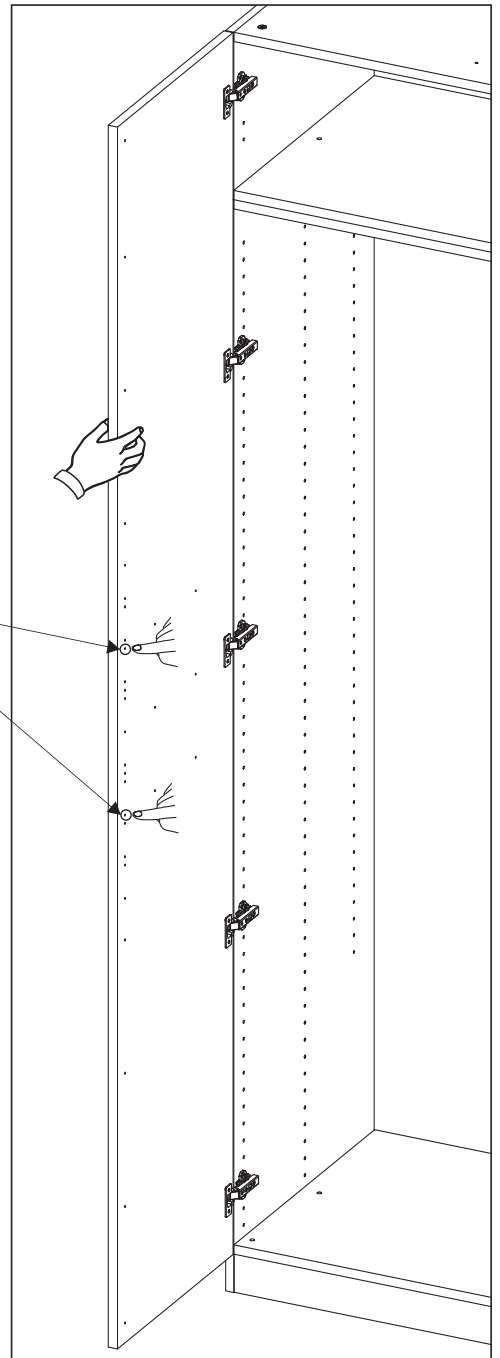
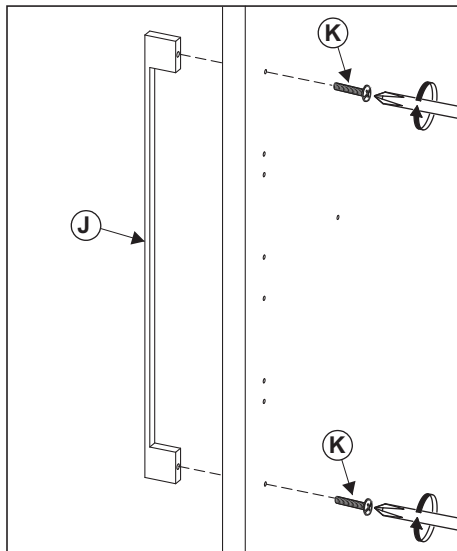
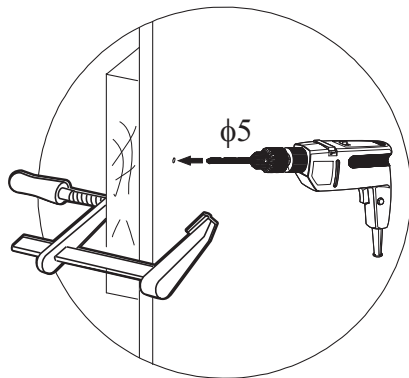
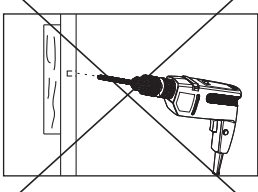
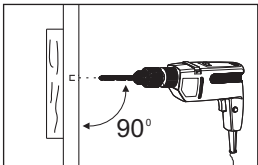
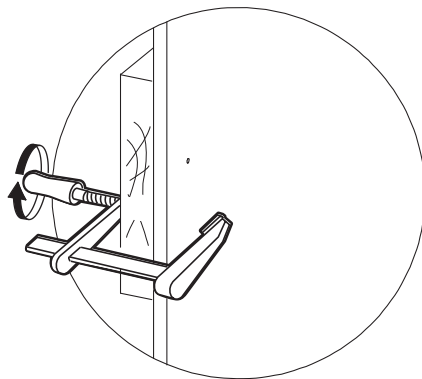
Version B



Option IV

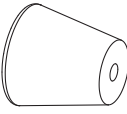



8



Option V



1x		L
1x		M
		4x27 mm

9

