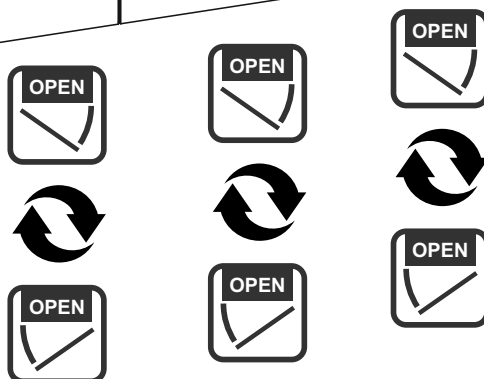
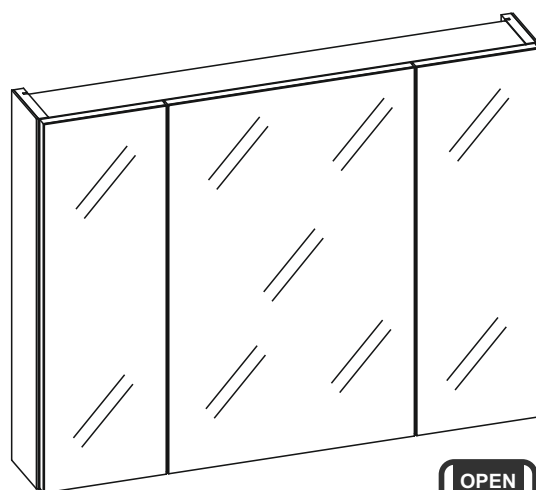
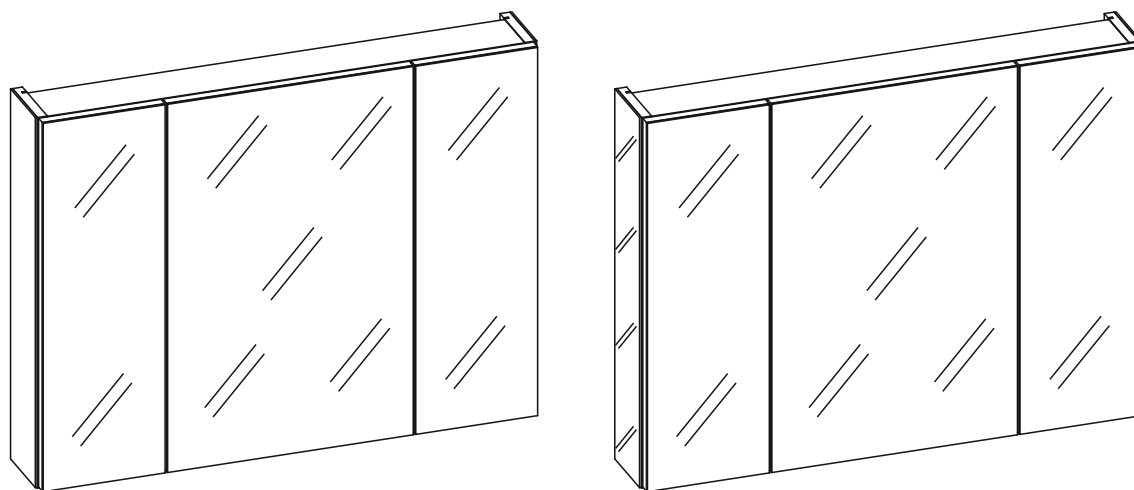

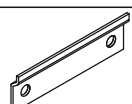

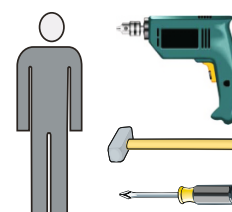
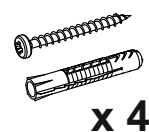


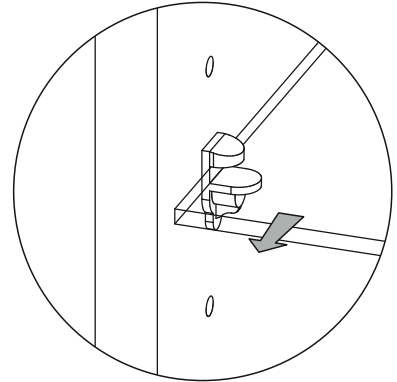
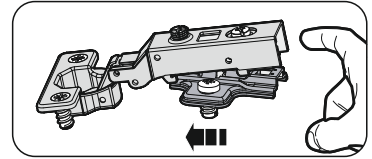
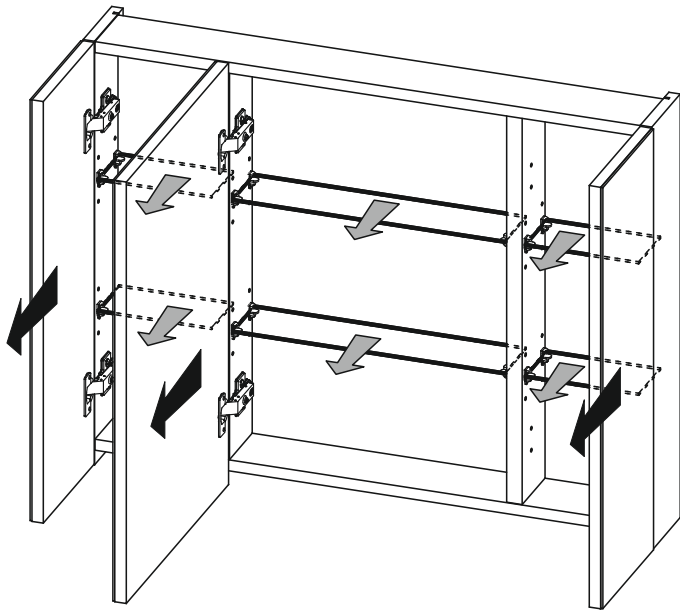
**80 3D**  
**100 3D**  
**120 3D**



P2	P11	P0
 $\varnothing 18$		 $\varnothing 5$
x 2	x 2	x 60



1



2



04.

05.

....



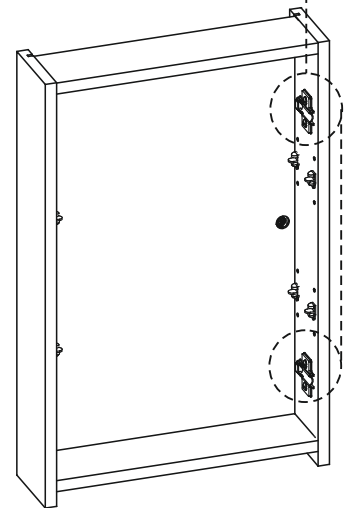
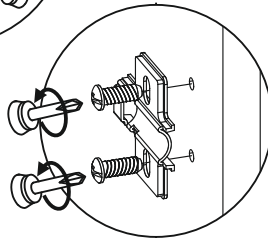
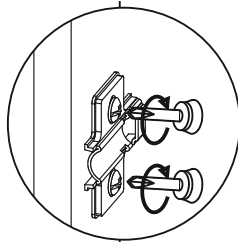
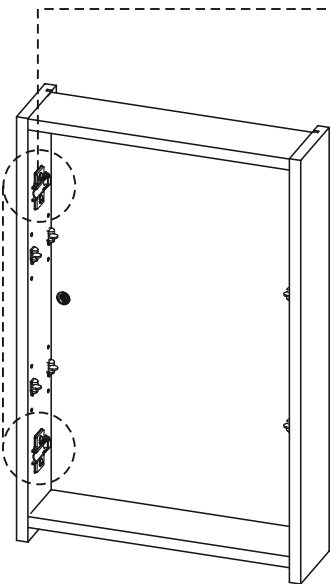
03.

04.

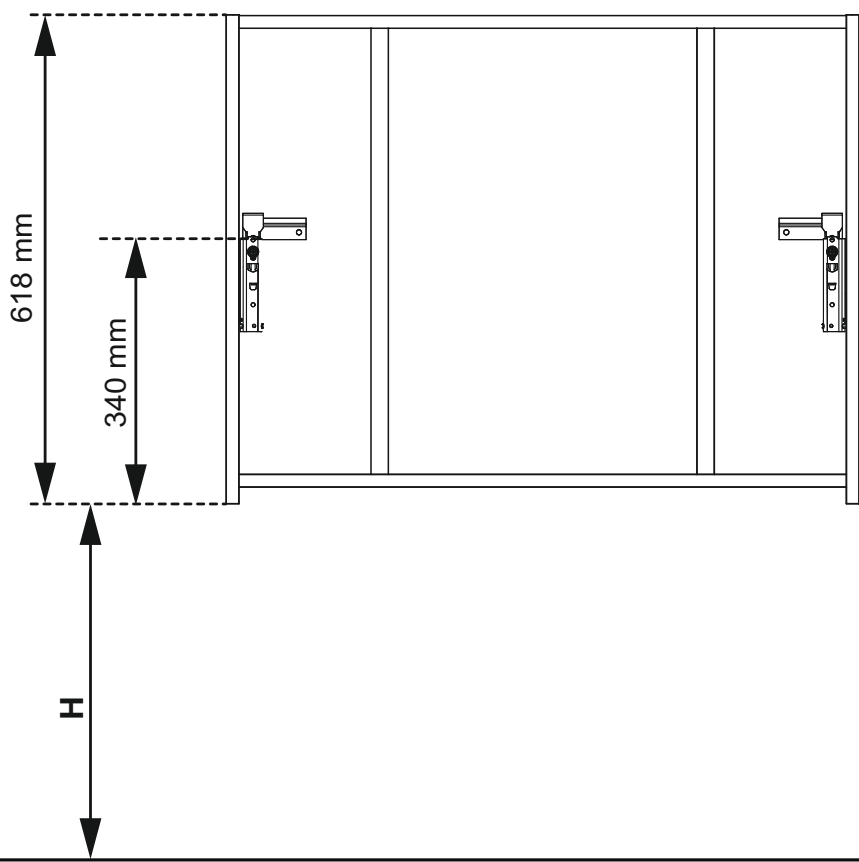
05.

....

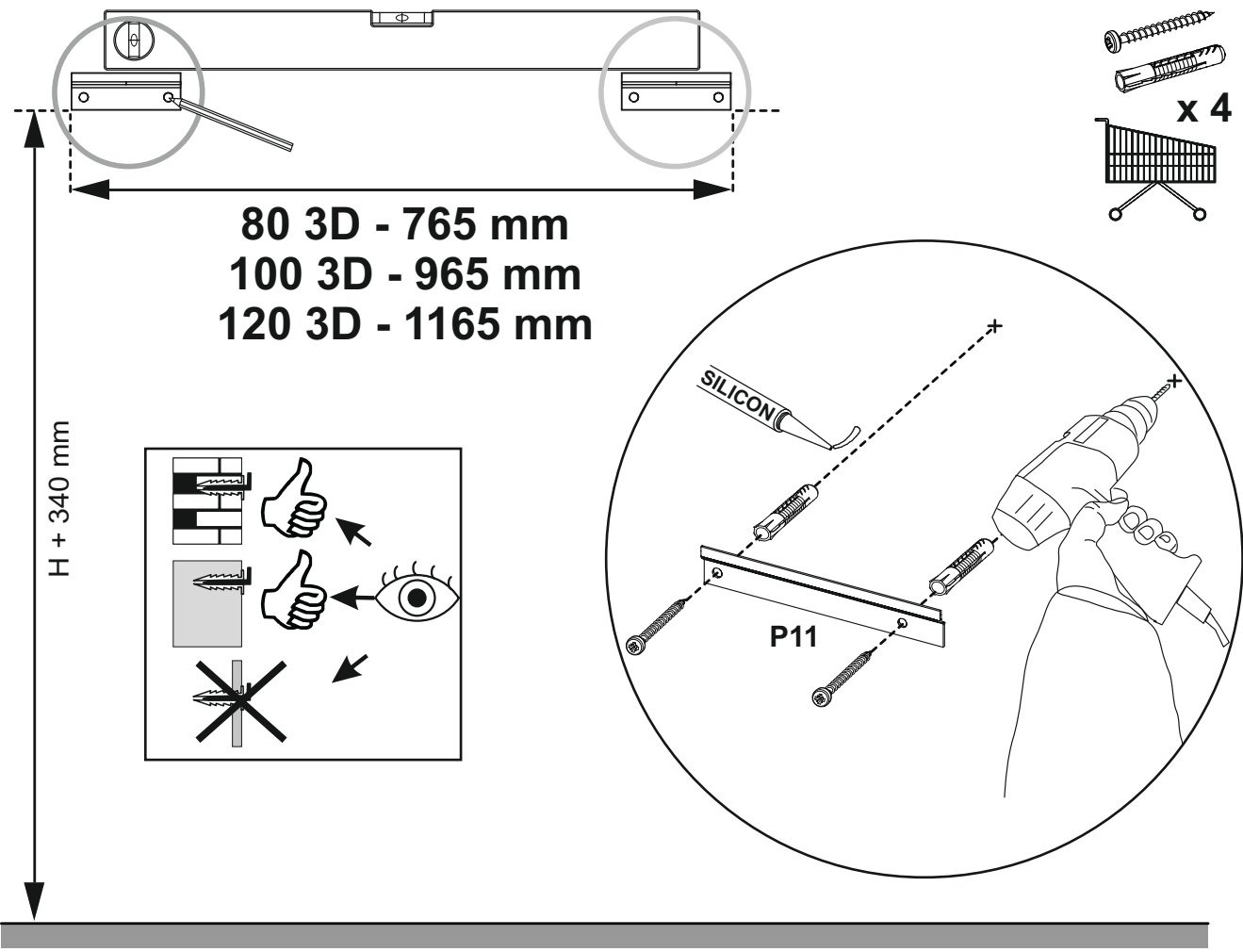
3



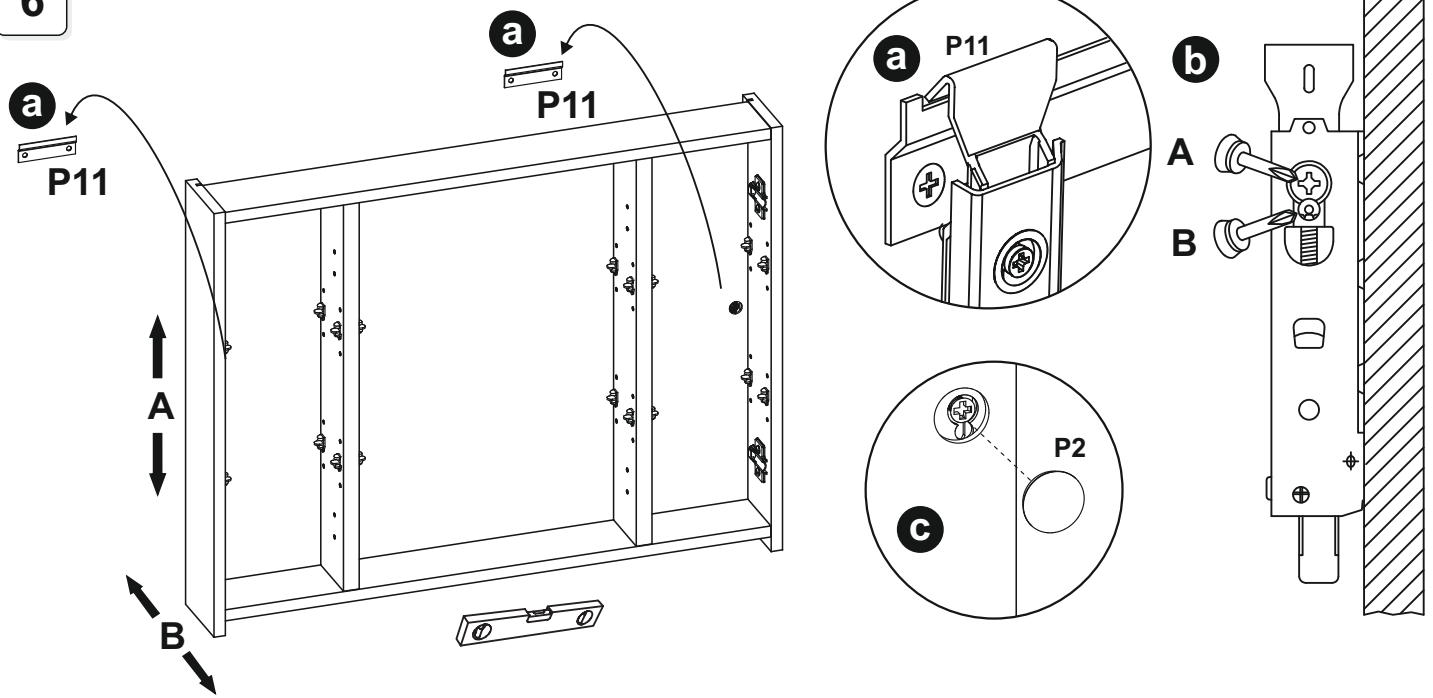
4



5



6



7

