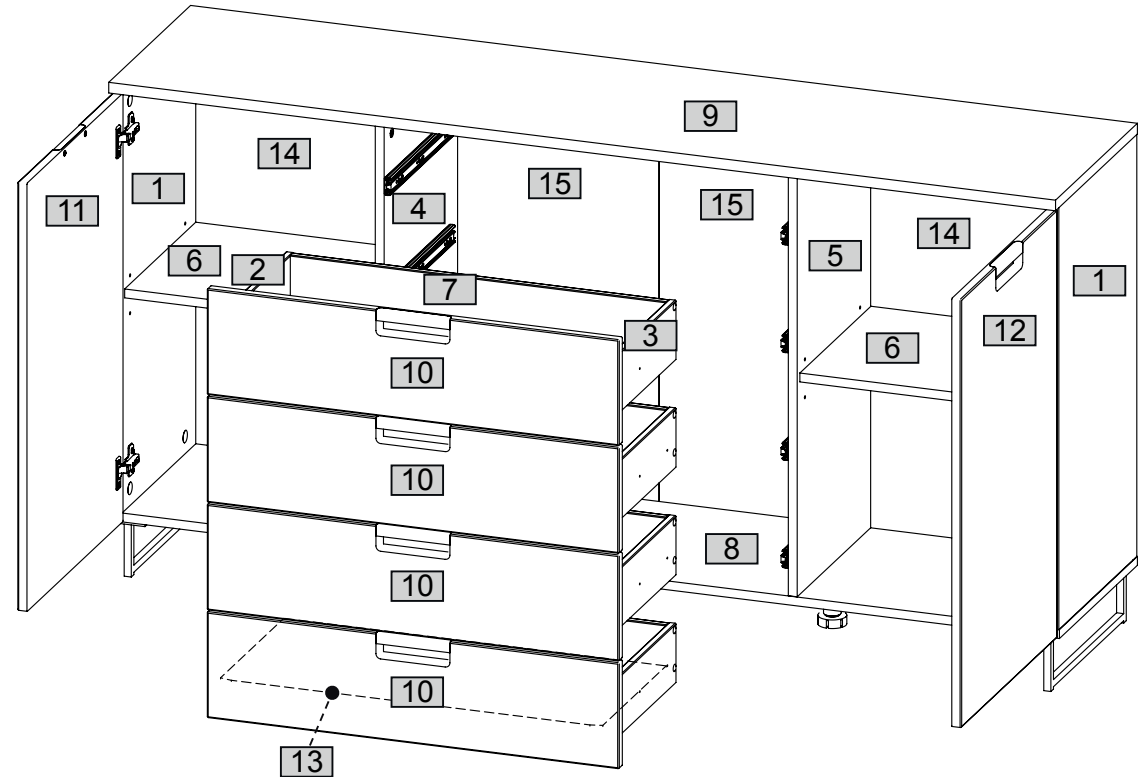


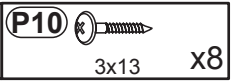
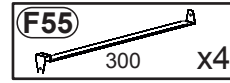
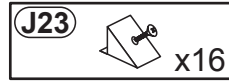
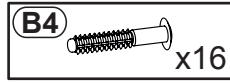
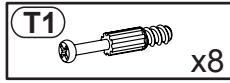
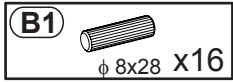
| Nr | Ausmaß |     | St | Colli |   |
|----|--------|-----|----|-------|---|
| 1  | 714    | 362 | 15 | 2     | 2 |
| 2  | 300    | 100 | 12 | 4     | 1 |
| 3  | 300    | 100 | 12 | 4     | 1 |
| 4  | 714    | 341 | 15 | 1     | 1 |
| 5  | 714    | 341 | 15 | 1     | 1 |
| 6  | 427    | 330 | 15 | 2     | 2 |
| 7  | 635    | 100 | 12 | 4     | 1 |
| 8  | 1600   | 362 | 15 | 1     | 1 |
| 9  | 1600   | 380 | 18 | 1     | 1 |
| 10 | 696    | 179 | 16 | 4     | 2 |
| 11 | 724    | 446 | 16 | 1     | 2 |
| 12 | 724    | 446 | 16 | 1     | 2 |
| 13 | 646    | 299 | 2  | 4     | 1 |
| 14 | 728    | 441 | 2  | 2     | 2 |
| 15 | 728    | 348 | 2  | 2     | 2 |



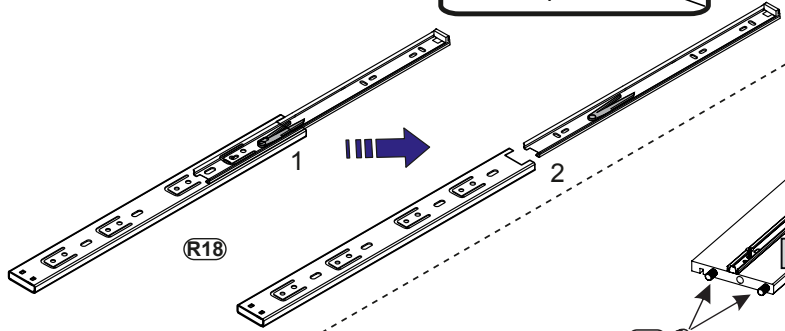
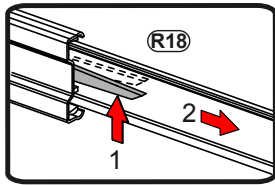
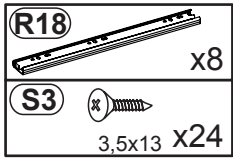
0 10 20 30 40 50 60 70 80 90 100 110 120 130 140 150 160 170 180 190 200



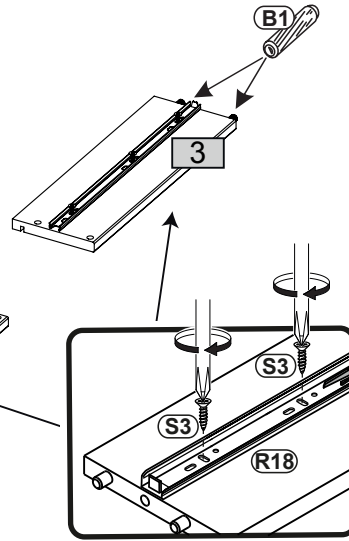
1



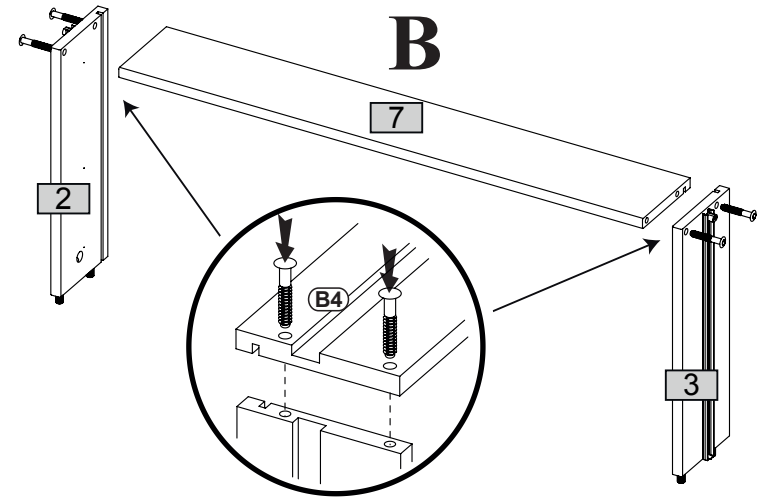
x4



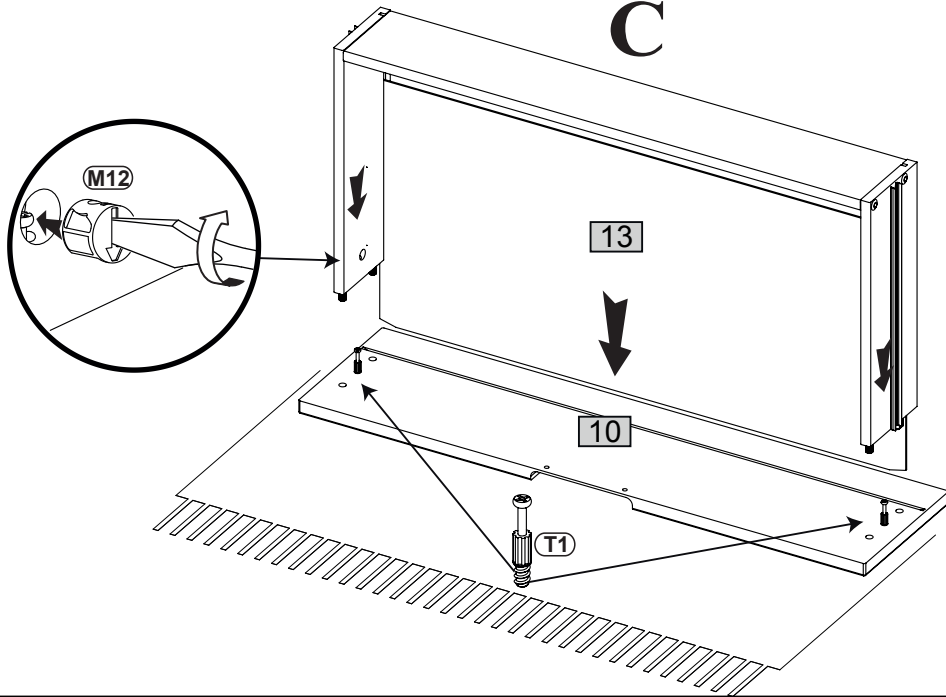
A



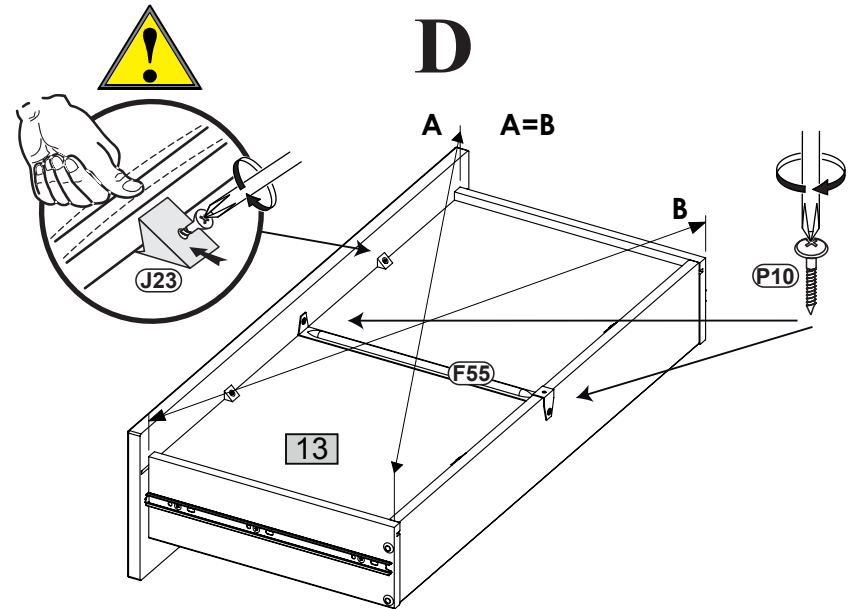
B



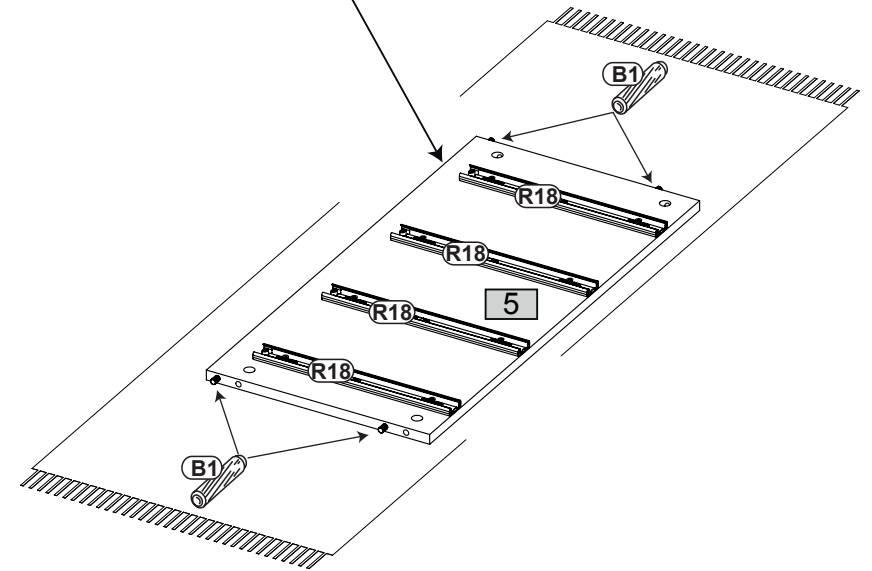
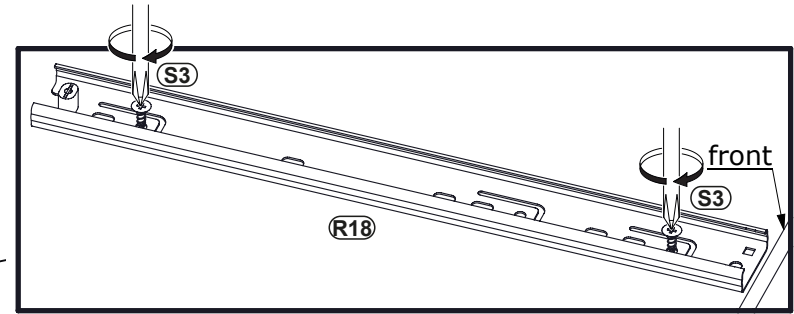
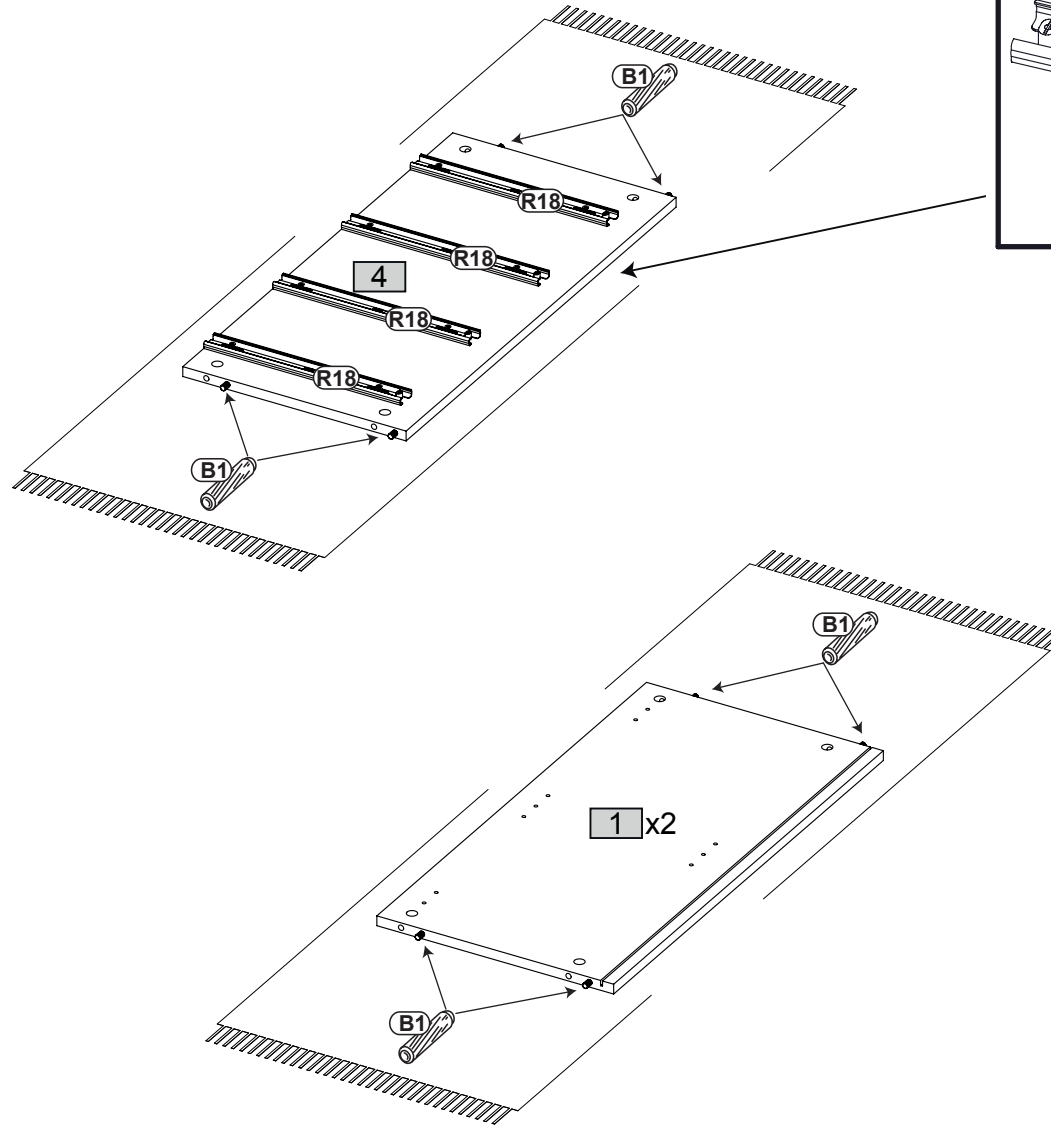
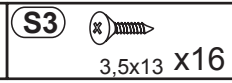
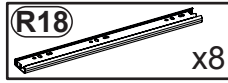
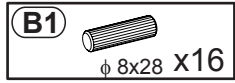
C



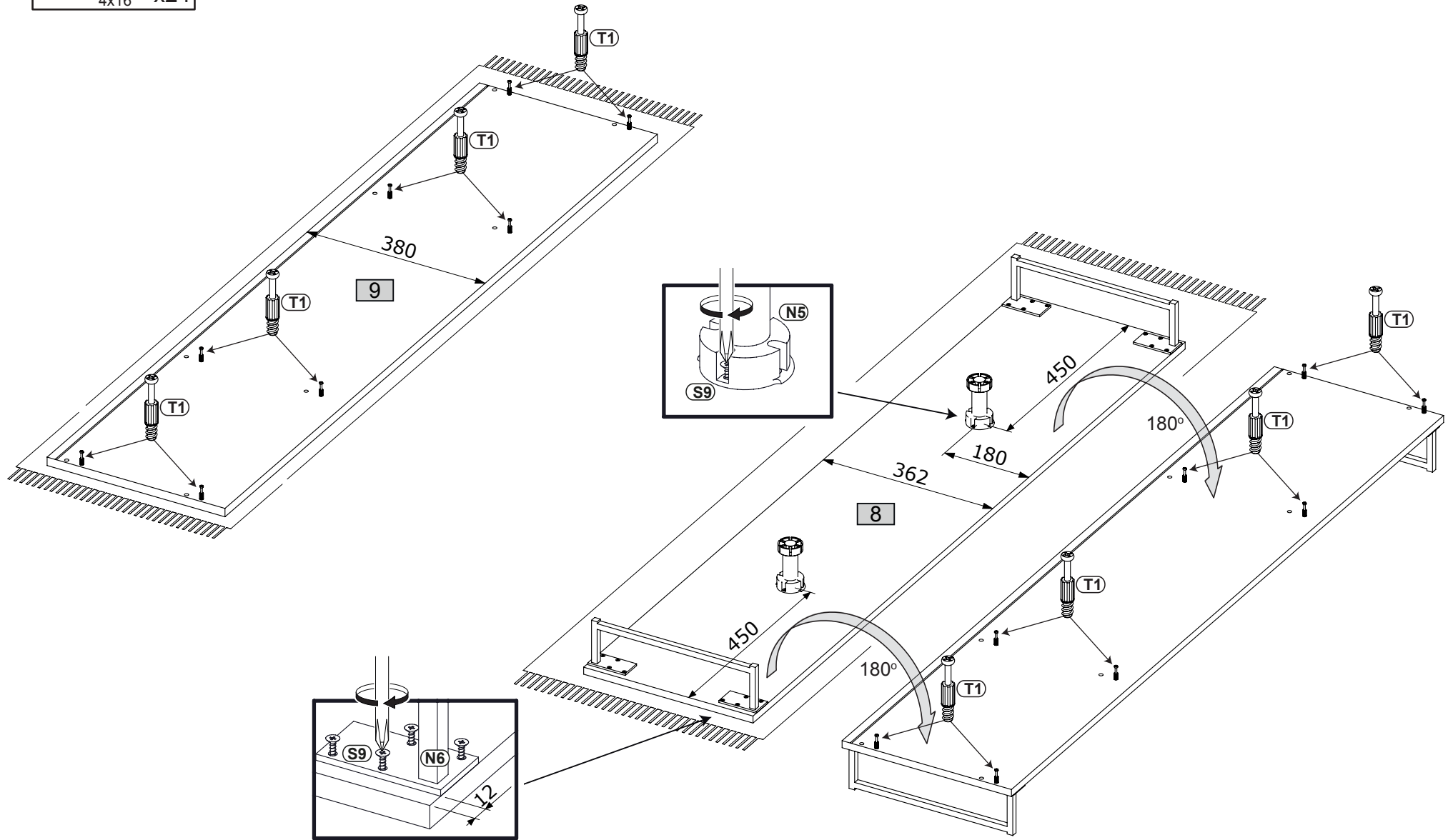
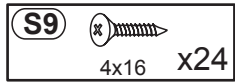
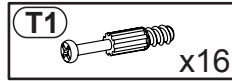
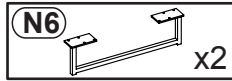
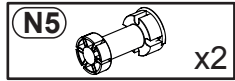
D



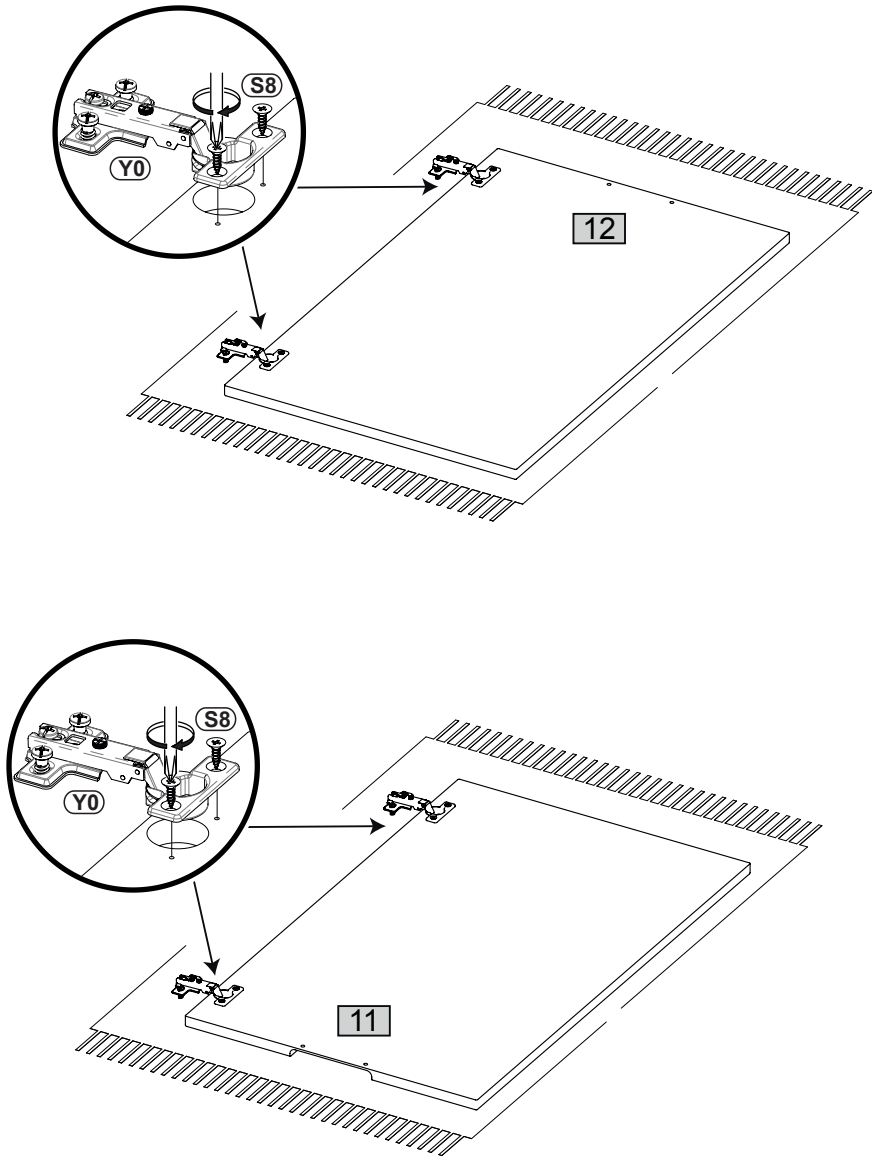
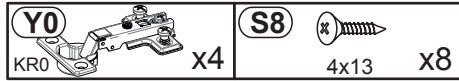
2



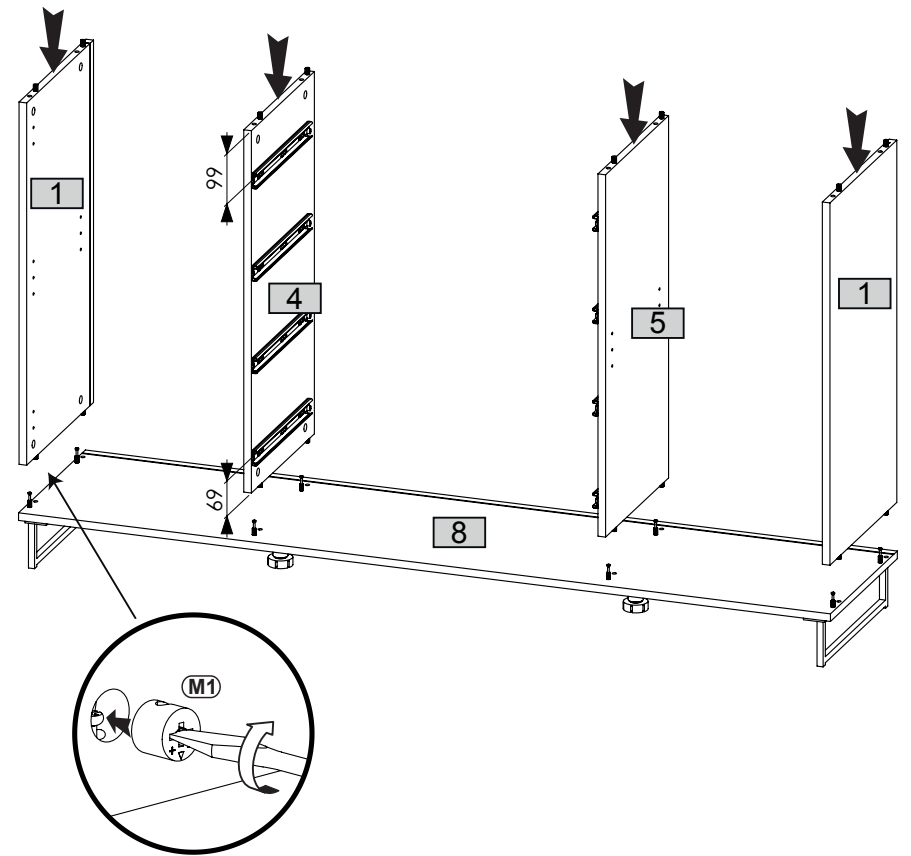
3




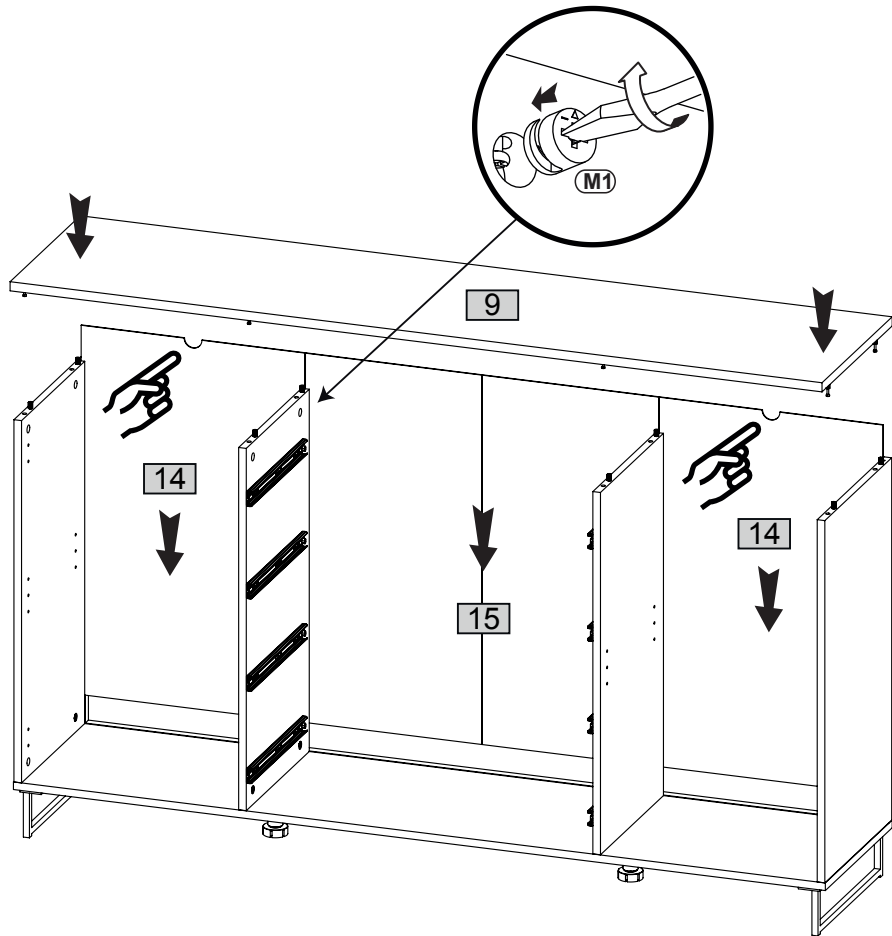
4

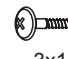


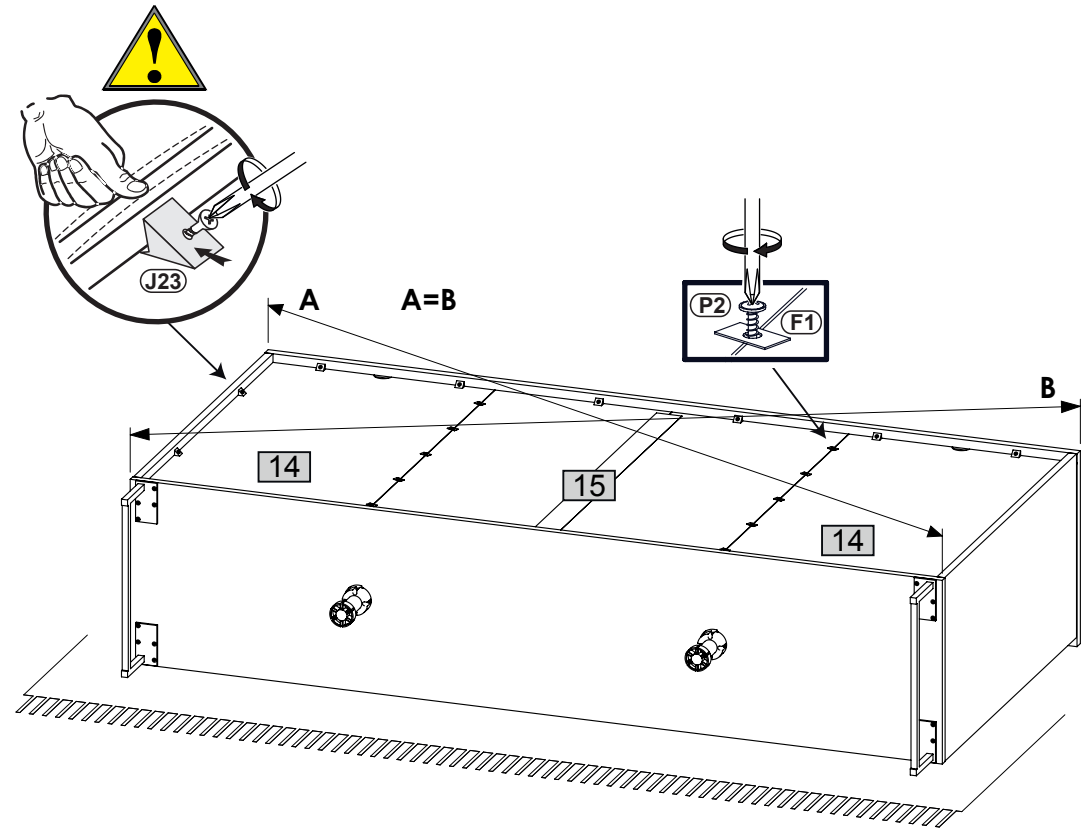
5



- 6** **M1**  x8



- 7** **J23**  x16 **F1**  x10 **P2**  3x16 x10



8

