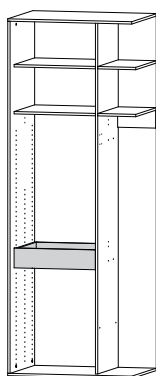
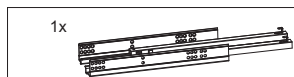


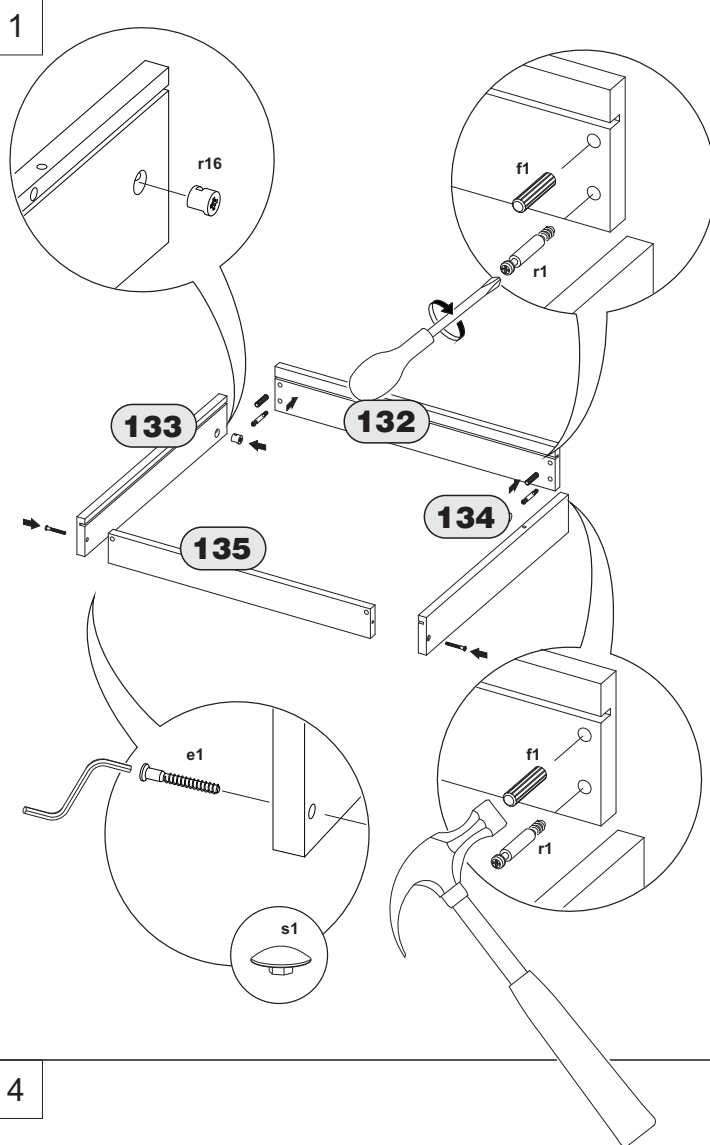
SZWD-046-SZ_TND_PRZ



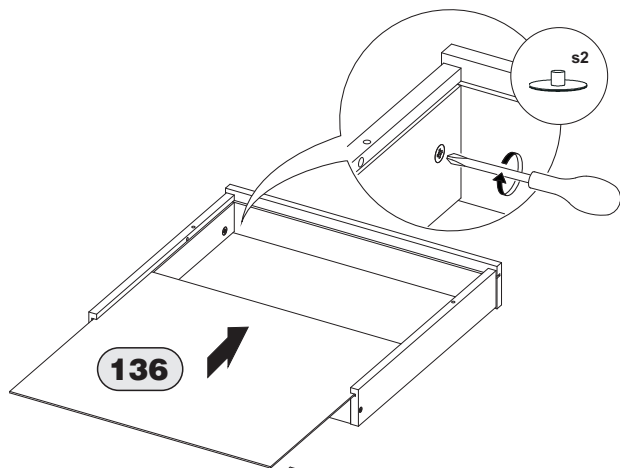
| ELEMENT SYMBOL | DIMENSIONS | | QUANTITY |
|----------------|------------|-----|----------|
| 132 | 558 | 87 | 1 |
| 133 | 490 | 75 | 1 |
| 134 | 490 | 75 | 1 |
| 135 | 522 | 59 | 1 |
| 136 | 536 | 495 | 1 |
| 137 | 520 | 56 | 3 |
| 138 | 472 | 56 | 3 |



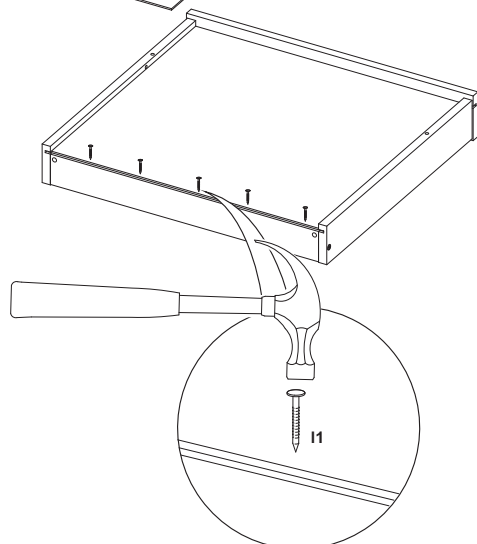
| | | | | | | | | | |
|----|----|-----|-----|-------|-----|---------|-----|-------|----|
| 2x | r1 | 2x | r16 | 4x | e19 | 4x | e19 | 2x | e1 |
| | | | | | | | | | |
| | | | | Ø6x13 | | Ø3,5x16 | | Ø7x50 | |
| 2x | f1 | 30x | l1 | 4x | s1 | 4x | s2 | 1x | |
| | | | | | | | | | |



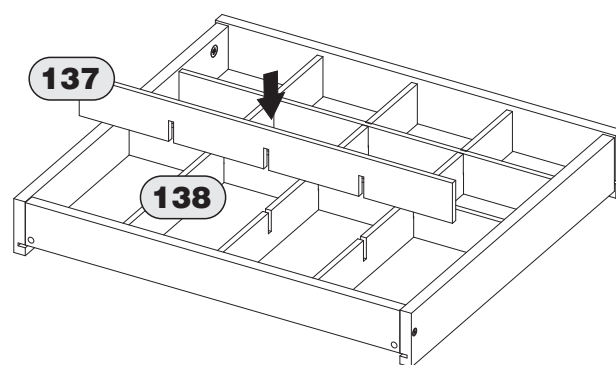
2



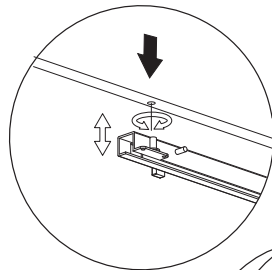
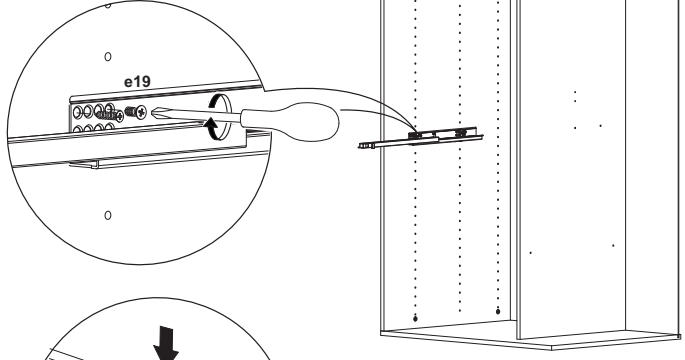
3



4



5



6

