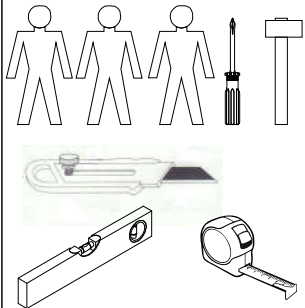
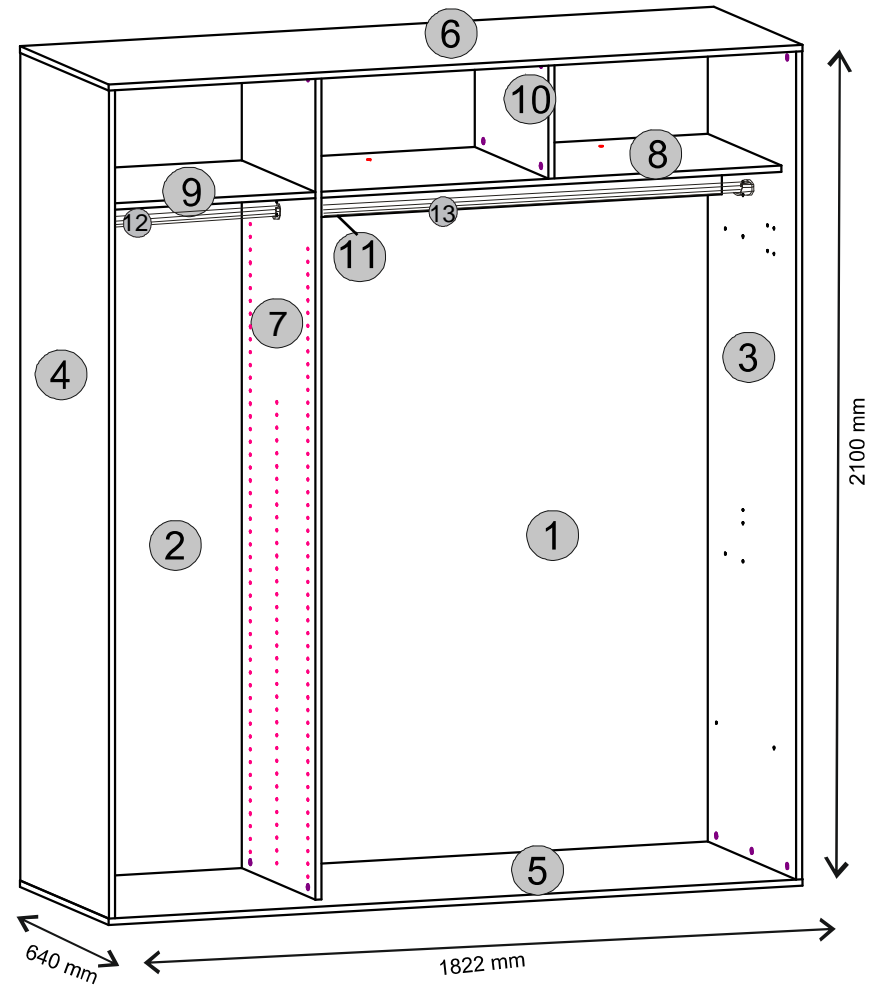


Instalation manual

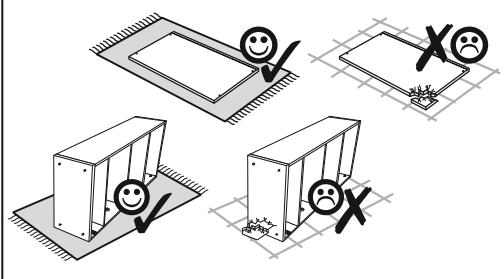
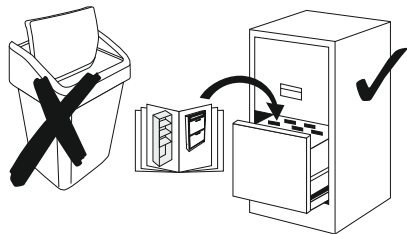
Wardrobe: 210x182

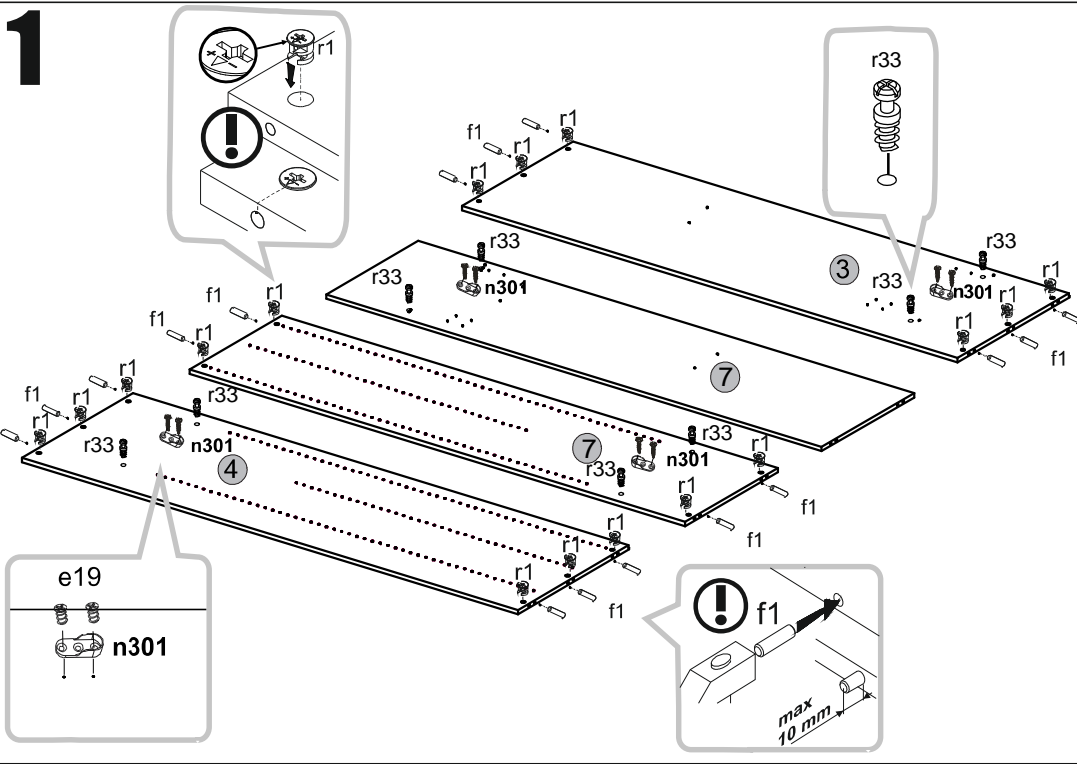
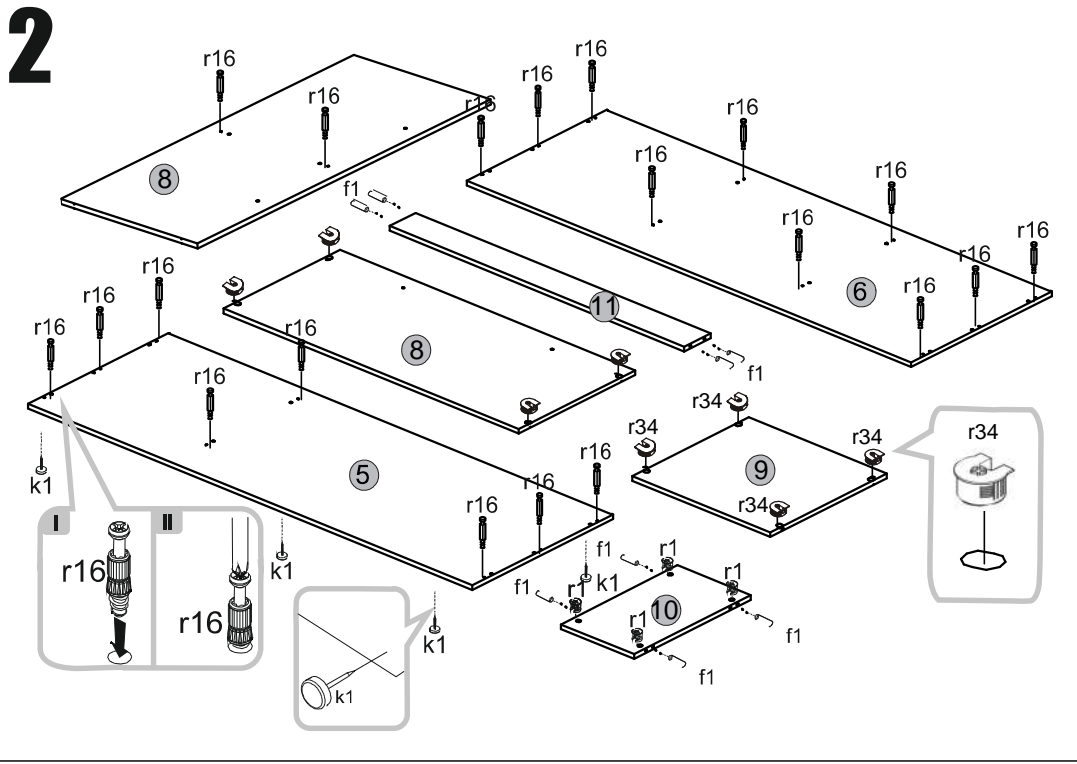
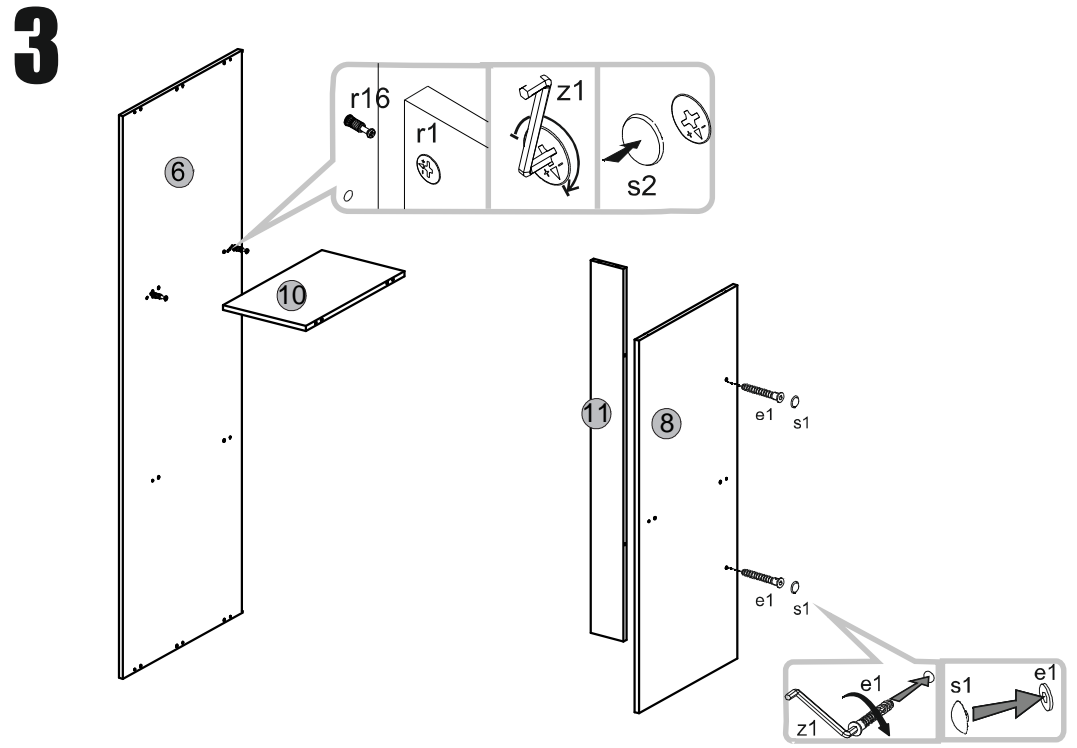
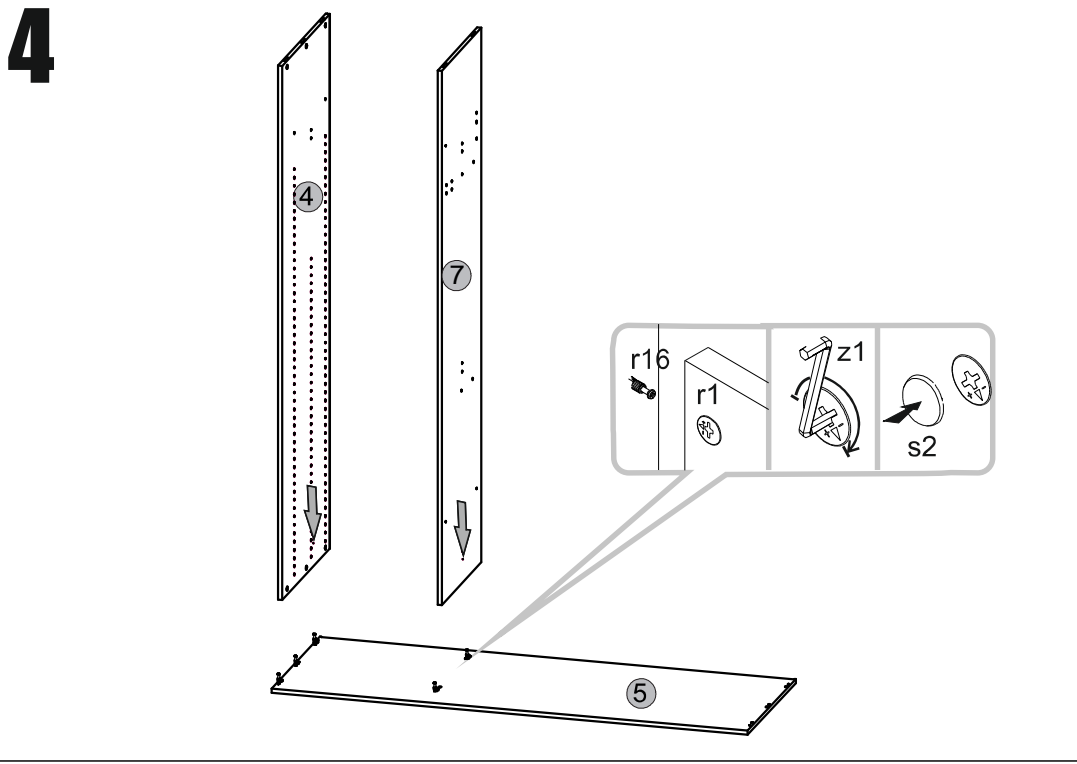


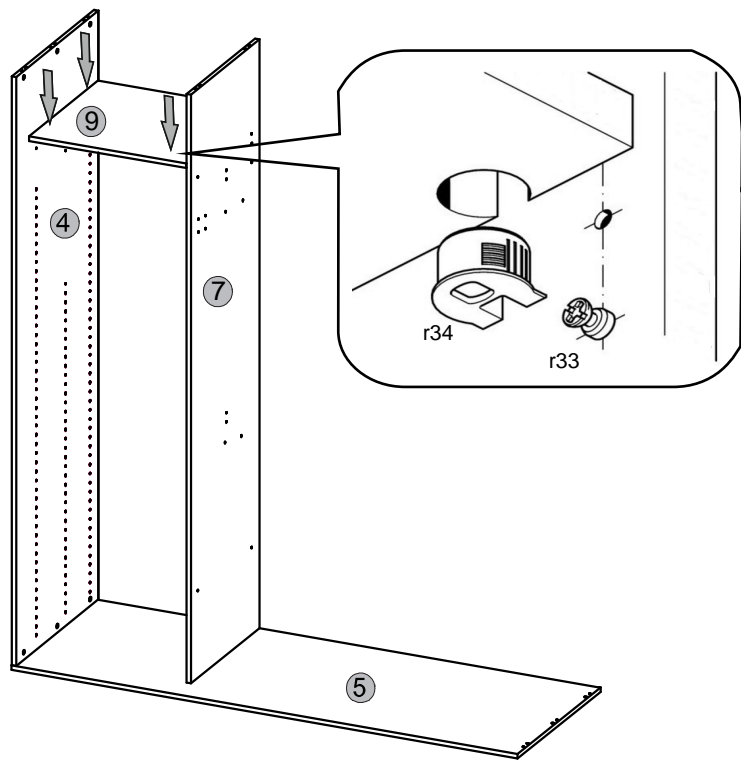
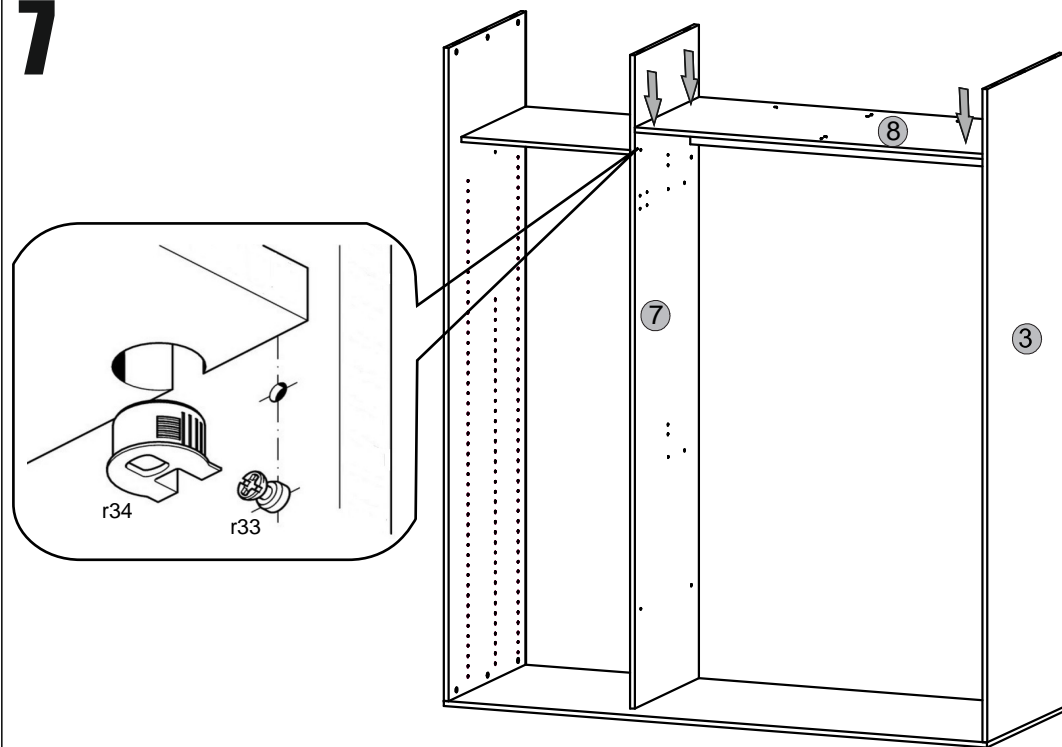
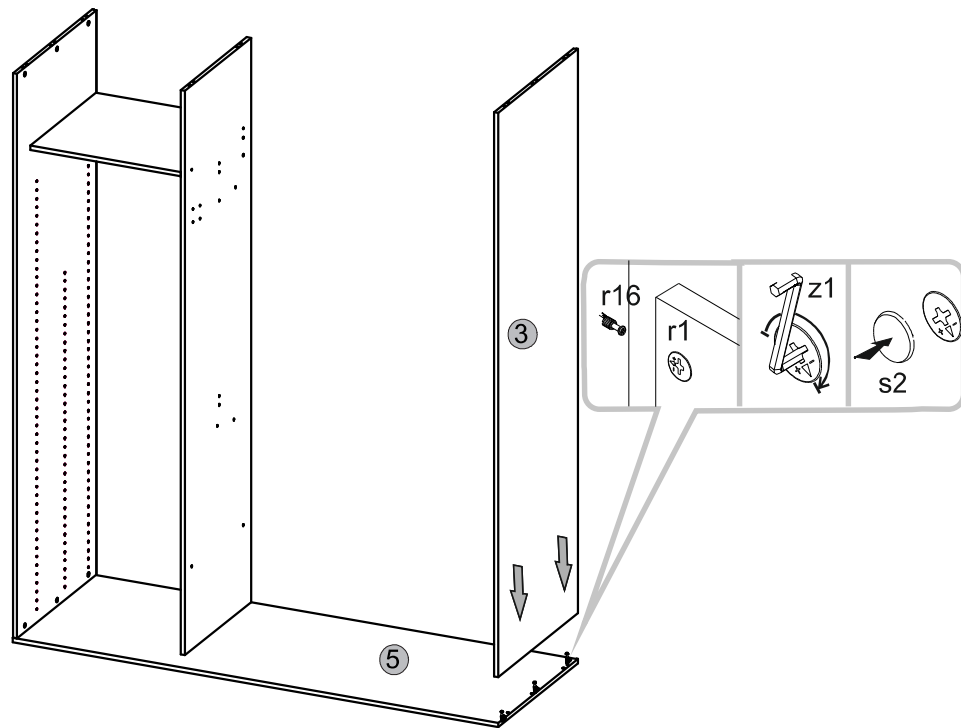
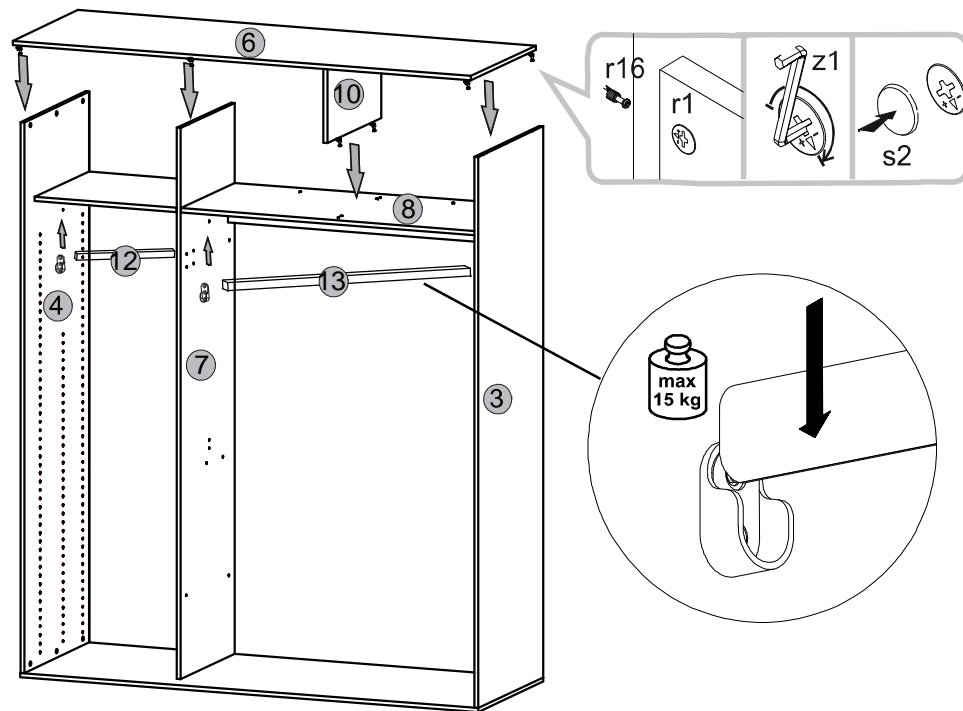
Element symbol	Dimensions			pcs	Code	Package
1	2086	1225	3	1	SZAF A210x182.001	1/3
2	2086	581	3	1	SZAF A210x182.002	1/3
3	2068	640	16	1	SZAF A210x182.003	1/3
4	2068	640	16	1	SZAF A210x182.004	1/3
5	1822	640	16	1	SZAF A210x182.005	2/3
6	1822	640	16	1	SZAF A210x182.006	2/3
7	2068	531	16	1	SZAF A210x182.008	1/3
8	1208	531	16	1	SZAF A210x182.009	3/3
9	564	531	16	1	SZAF A210x182.010	3/3
10	300	531	16	1	SZAF A210x182.011	3/3
11	120	1208	16	1	SZAF A210x182.012	3/3
12	556			1		
13	1200			1		



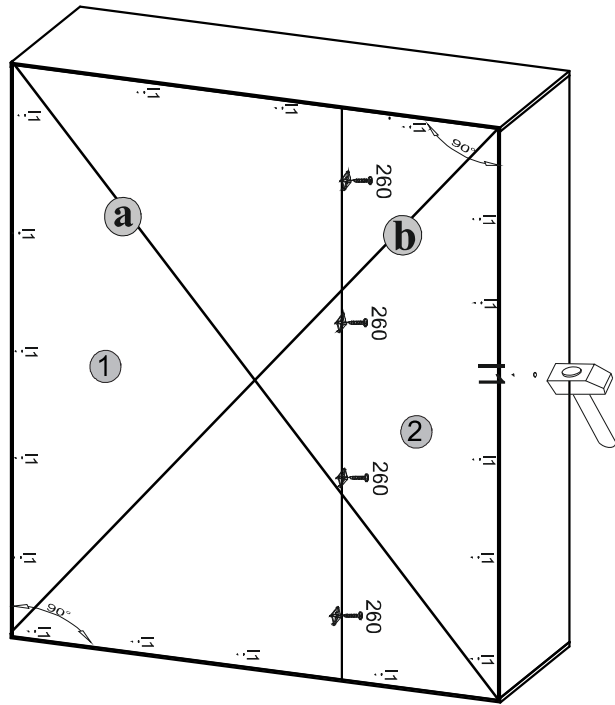
1x z1	4x 2025 mm	32 x $\phi 3.5 \times 12$ mm p25	1x 556 mm	1x 1200 mm	9x $\phi 3.5 \times 16$ mm p4	12x $\phi 2.9 \times 16$ mm p55
$\phi 3$ z10	130x l1	8x $\phi 5 \times 13$ mm e19	48x $\phi 3.5 \times 13$ mm p27	2x w60	1x 1787 mm	1x 1787 mm
4x n111	4x n301	20x s2	2x $\phi 7 \times 50$ mm e1	2x s1	8 x n76	12x n260.01.007 n260
4x n110	6x k1	20x r16	20x $\phi 1.5 \times 12$ mm #16	r1 r34	8x r33	24 x $\phi 8 \times 30$ mm f1



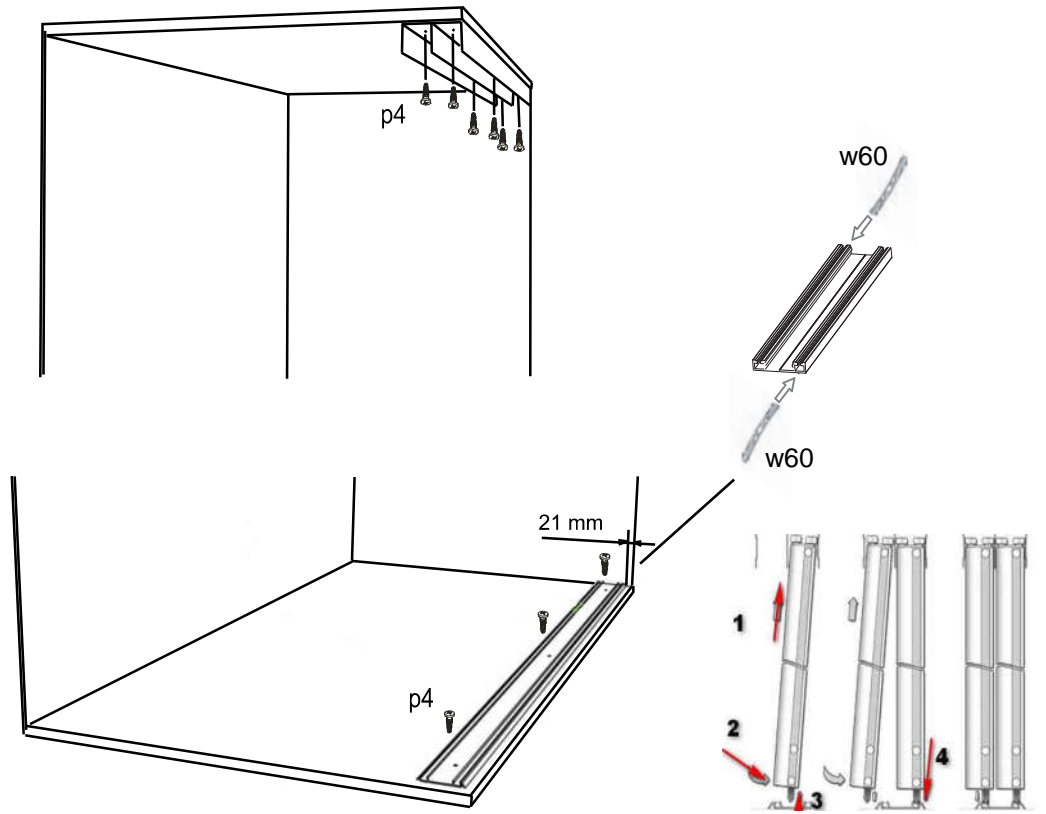
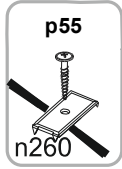
1**2****3****4**

5**7****6****8**

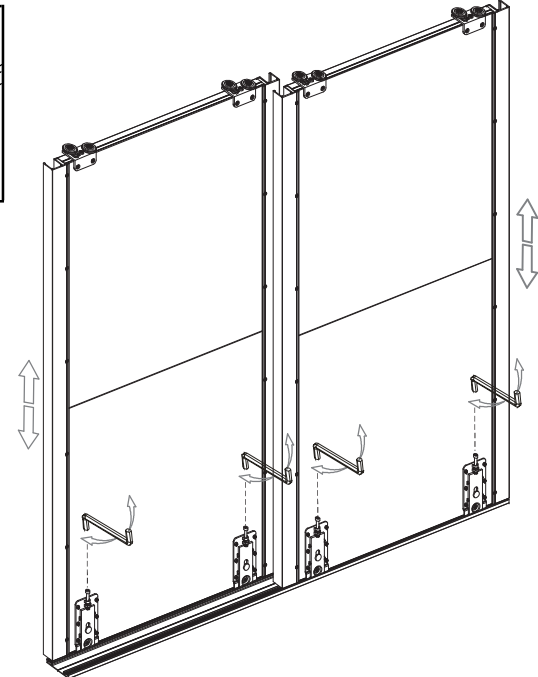
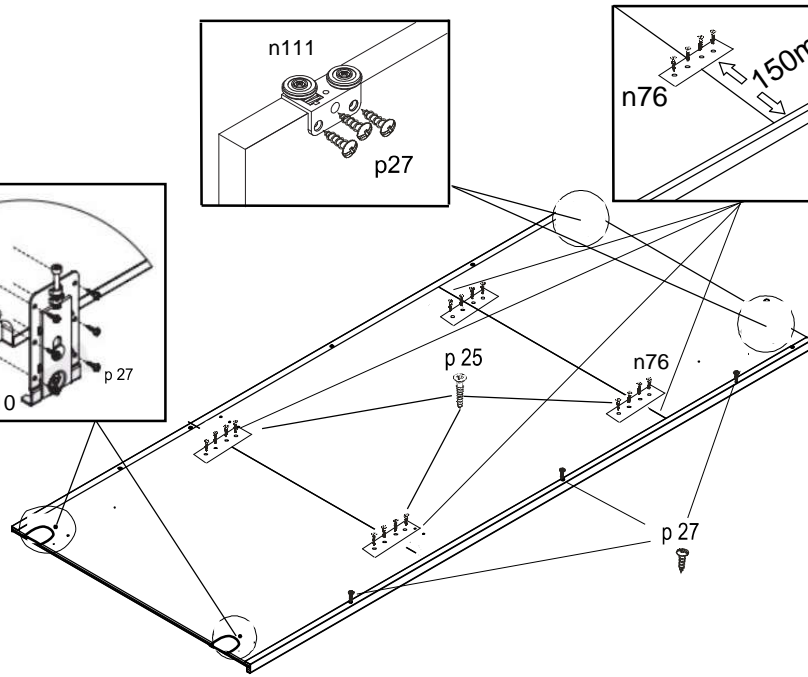
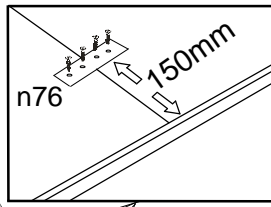
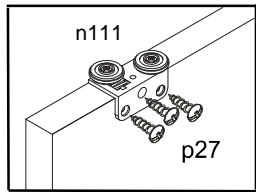
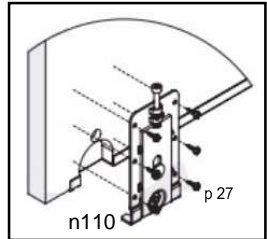
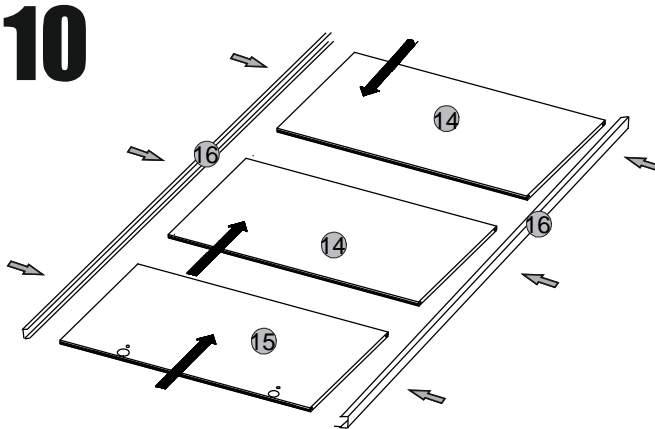
9



!
a=b



10



Element symbol	Dimensions	pcs	Code	Package
14	909 675 16	4		p.
15	909 675 16	2		p.
16	2025	4		